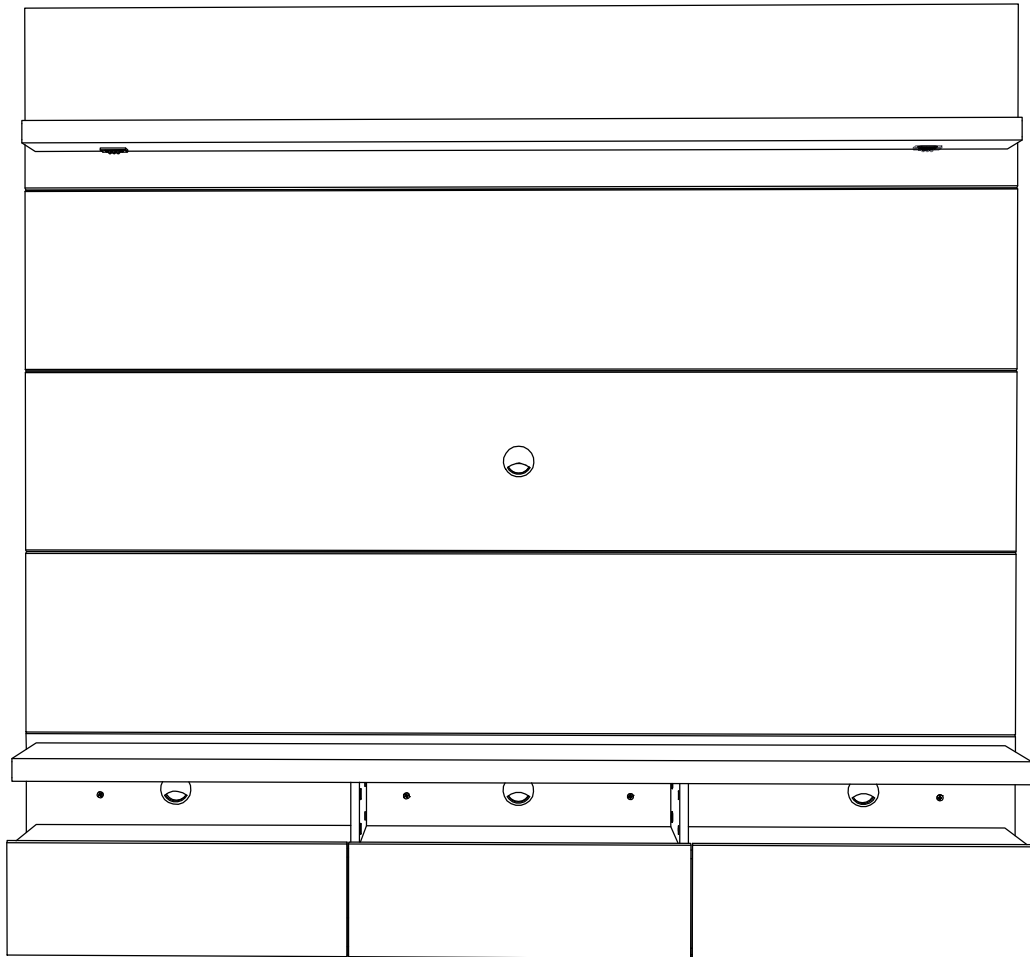




MANHATTAN
COMFORT

ASSEMBLY INSTRUCTIONS



COD:23700

REV. 00

IMPORTANT REMARKS

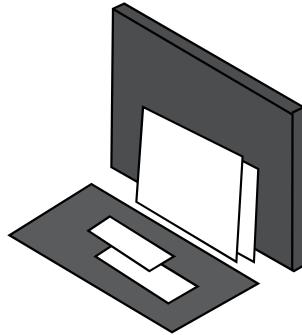
! Warning: This product is to be mounted on brick or concrete wall ONLY!



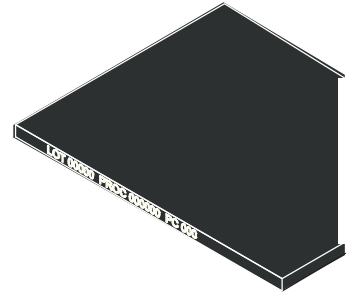
Never climb or lean on the furniture.
You may suffer serious accidents.



Use the packaging to cover the
assembly area and separate
all parts.



Identify the parts by observing the
number printed on their edges.



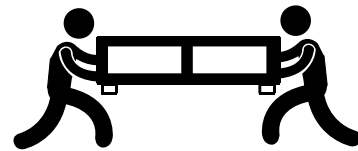
CARE INSTRUCTIONS



Wipe clean using a damp cloth and a mild cleaner.
Do not use abrasive and chemical products.



HANDLING



Move the piece carefully, don't drag it. Ask
for someone else's help to do so.

HARDWARE



Identify and separate the hardware used in the assembly. There's a label on each package identifying the parts and where to use them.



COD. 0599-12x



A

COD. 0494-12x



B

COD. 1533-24x



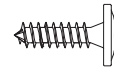
C

COD. 0160-32x



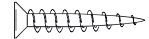
D

COD. 3557-18x



E

COD. 3706-22x



F

COD. 6533-12x



G

COD. 3527-43x



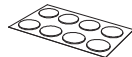
H

COD. 0338-6x



I

STICKER-12x



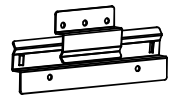
J

COD. 1668-51x



K

COD. 9070-6x



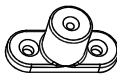
L

COD. 0348-2x



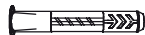
M

COD. 4157-16x



N

COD. 2088-16x



O

COD. 4505-4x



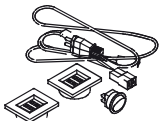
P

COD. 9069-12x



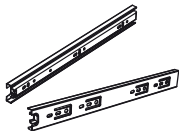
Q

KIT LED-1x



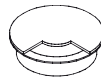
R

COD. 2661-3x



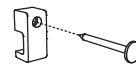
S

WIRE CHANNEL-4x



T

COD. 6024-4x

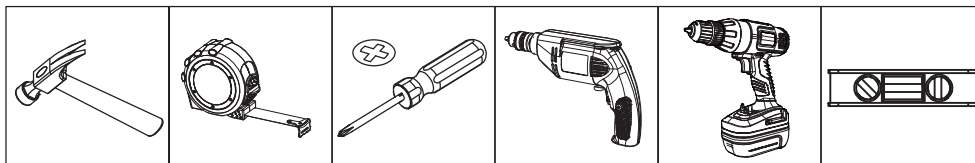


U

SUPPORT - 1x

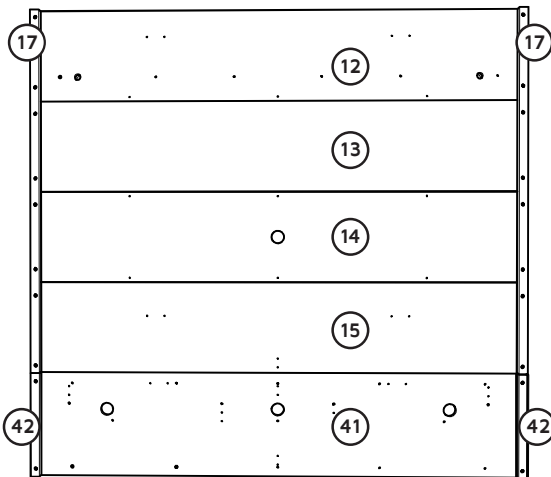
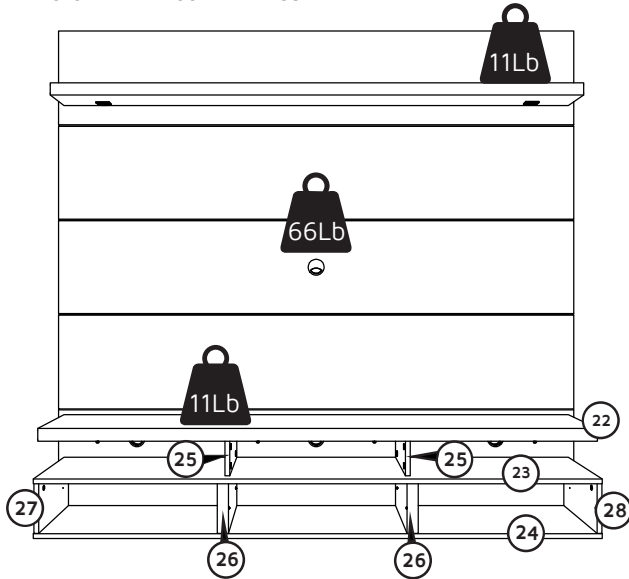
SUPPORT TV

V

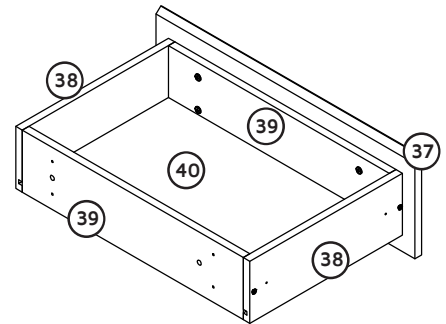


DESCRIPTION

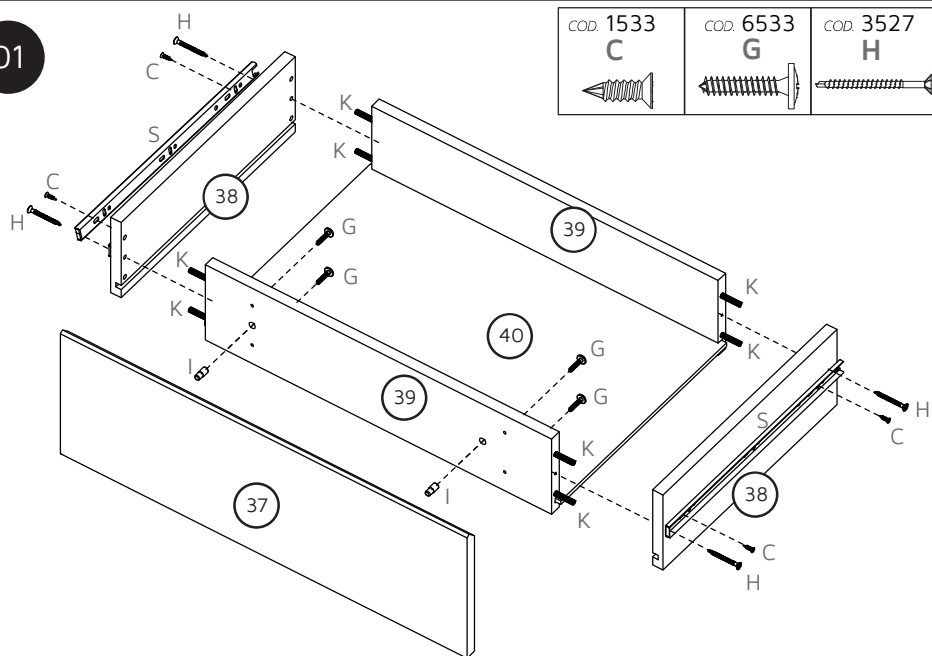
W:71.26 inches H:67.24 inches D: 17.12 inches
L:1810mm A:1708mm P:435 mm



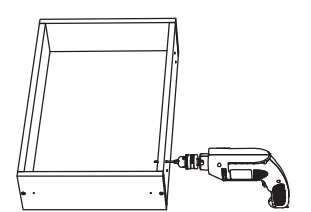
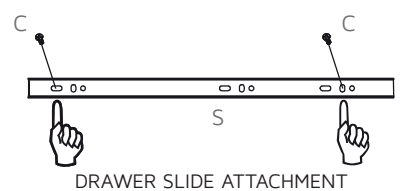
CÓD:23700			
PART	QUANTITY	DESCRIPTION	BOX
12	01	TOP PANEL	03
13	01	CENTRAL PANEL	03
14	01	PANEL WIRE CHANNEL	03
15	02	BACK PANEL	03
16	01	TOP SHELF	03
17	02	SIDE BATTEN	03
22	01	TOP BOARD	01
23	01	CENTER BOARD	01
24	01	BOTTOM BOARD	01
25	02	UPPER DIVIDER	01
26	02	BOTTOM DIVIDER	02
27	01	LEFT SIDE	01
28	01	RIGHT SIDE	01
37	03	DRAWER FRONT	01
38	06	DRAWER SIDE	02
39	06	DRAWER BACK PANEL	02
40	03	DRAWER BOTTOM	02
41	01	BACKPLATE	01
42	02	SIDE BATTEN	01

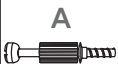






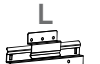



01

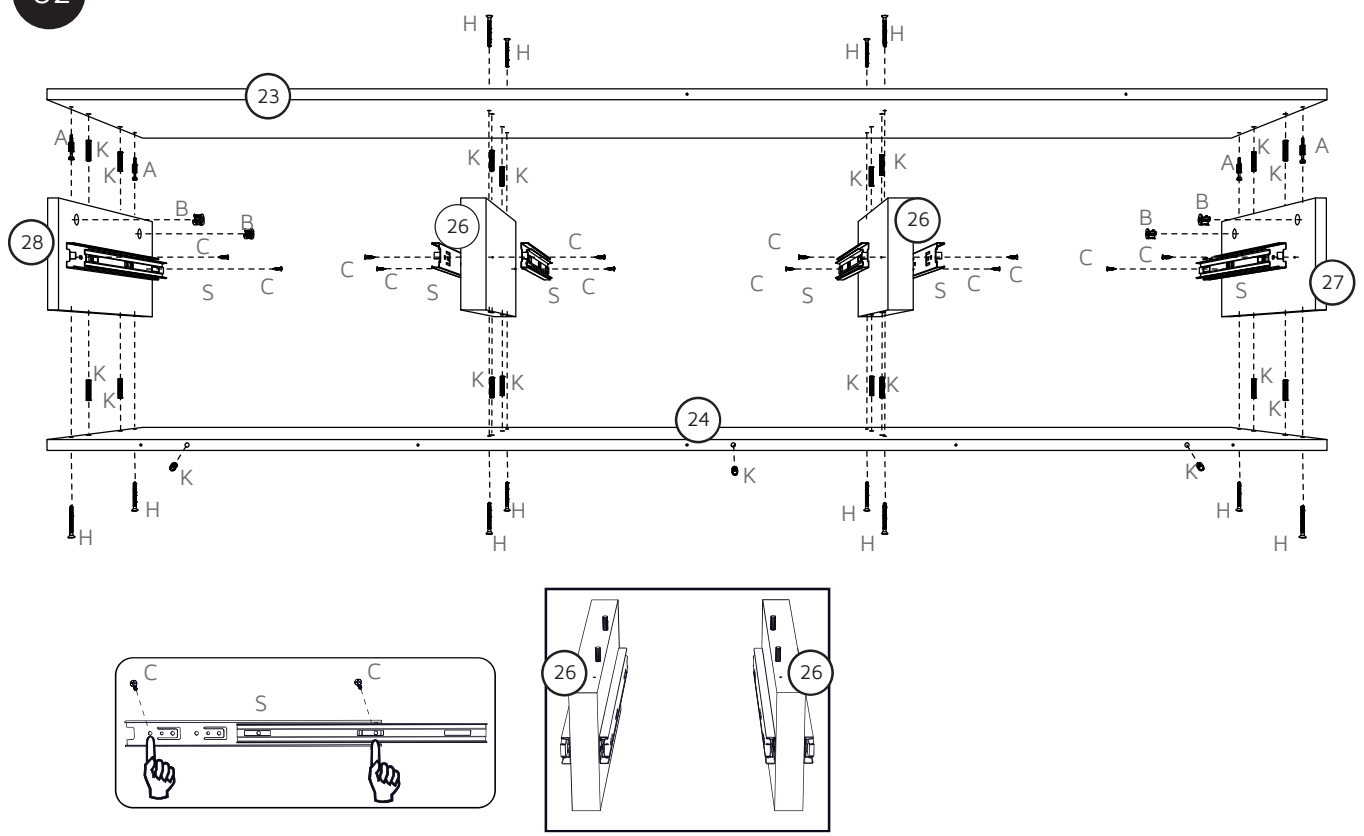


COD. 1533 C	COD. 6533 G	COD. 3527 H	COD. 0338 I	COD. 1668 K	COD. 2661 S
-----------------------	-----------------------	-----------------------	-----------------------	-----------------------	-----------------------

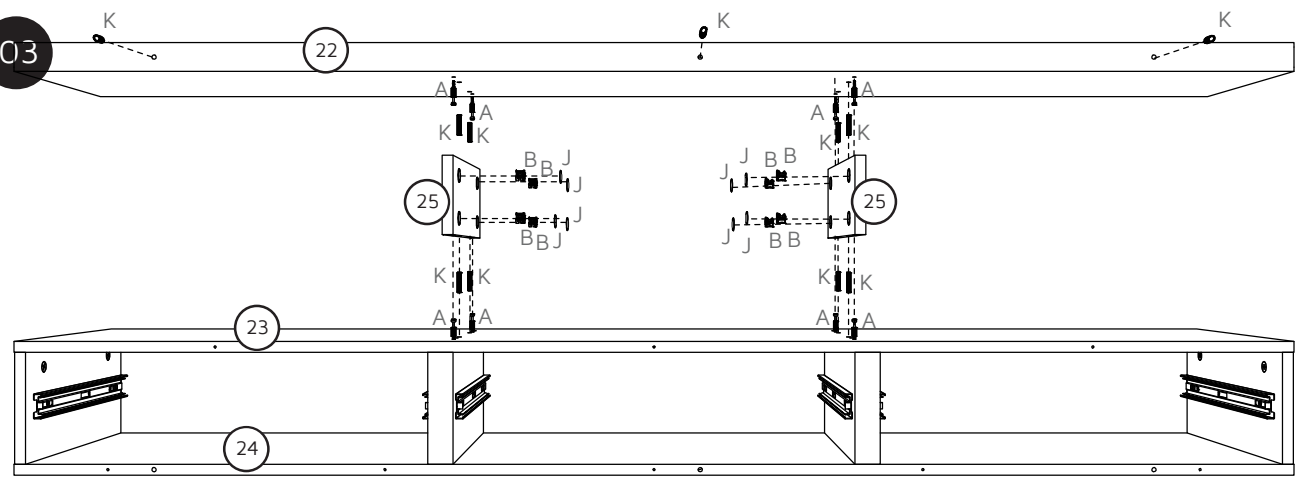


COD. 0599 A 	COD. 0494 B 	COD. 1533 C 	COD. 3557 E 	COD. 3527 H 	STICKER J 	COD. 1668 K 	COD. 9070 L 	COD. 2661 S 
--	--	--	--	--	---	--	--	--

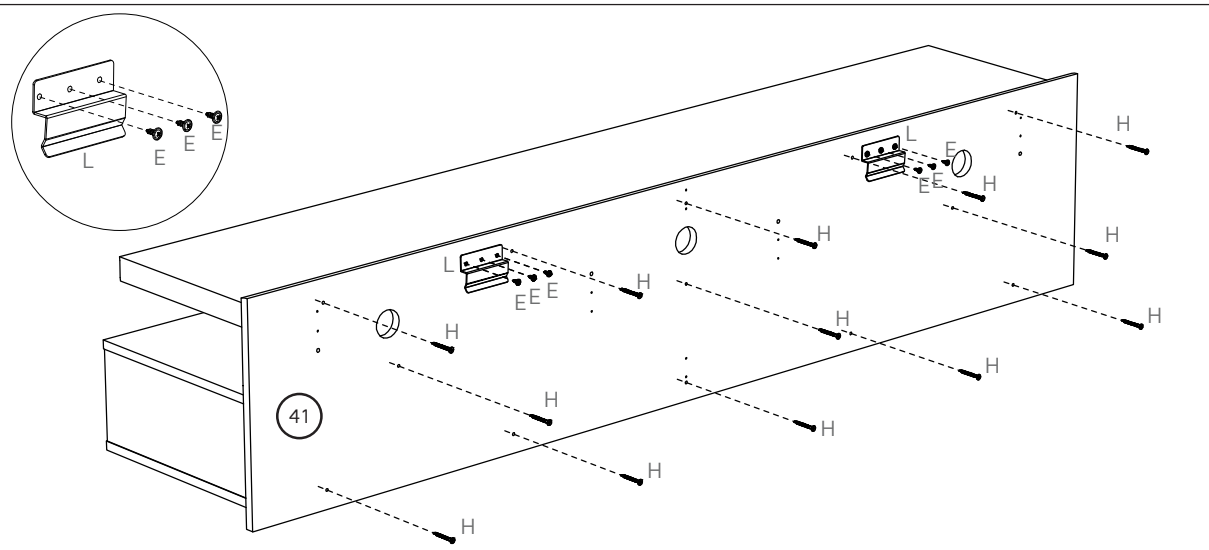
02

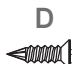









03

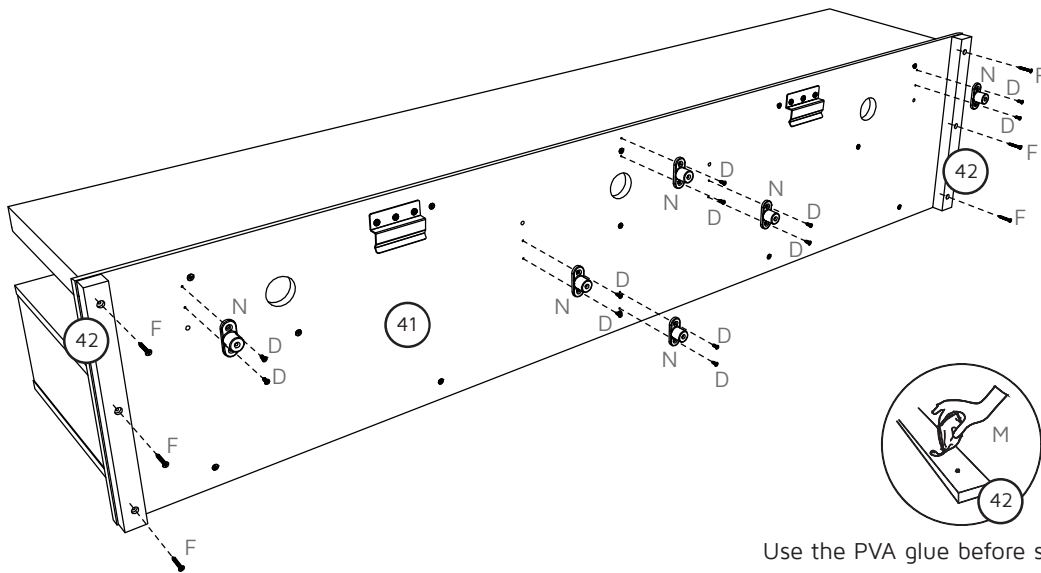


04



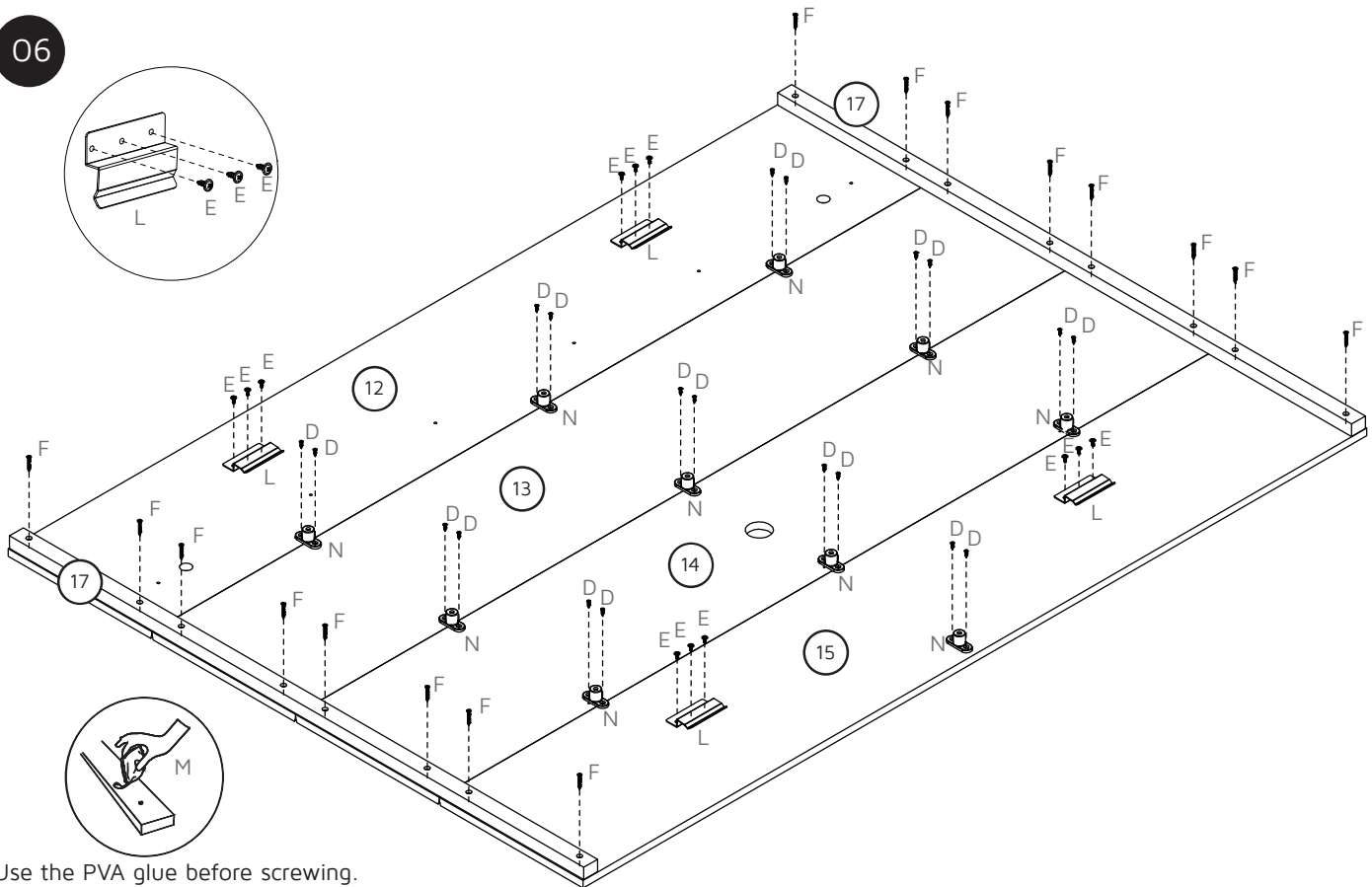
COD. 0160 D 	COD. 3557 E 	COD. 3706 F 	COD. 1668 K 	COD. 9070 L 	COD. 0348 M 	COD. 4157 N 	KIT LED R 
--	--	--	--	---	--	--	--

05



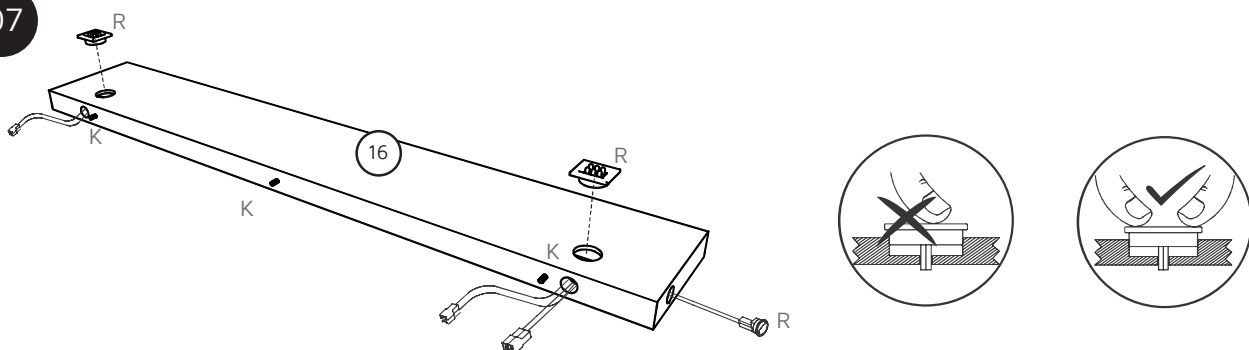
Use the PVA glue before screwing.

06



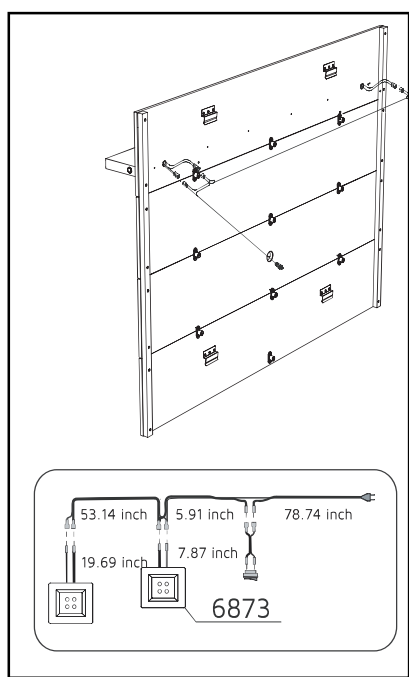
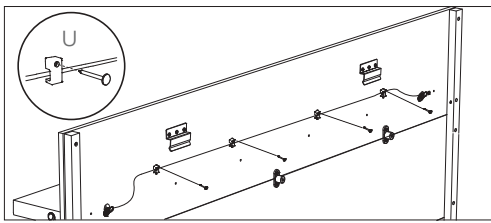
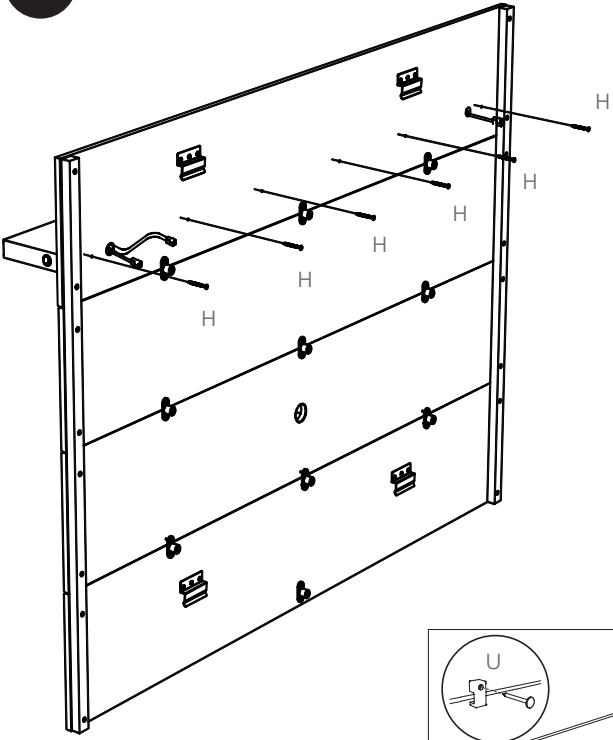
Use the PVA glue before screwing.

07



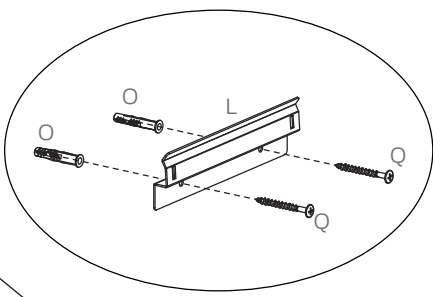
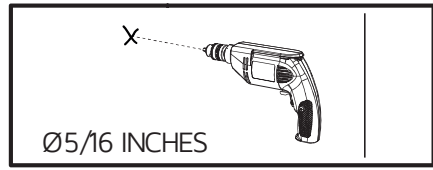
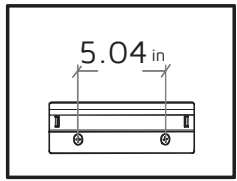
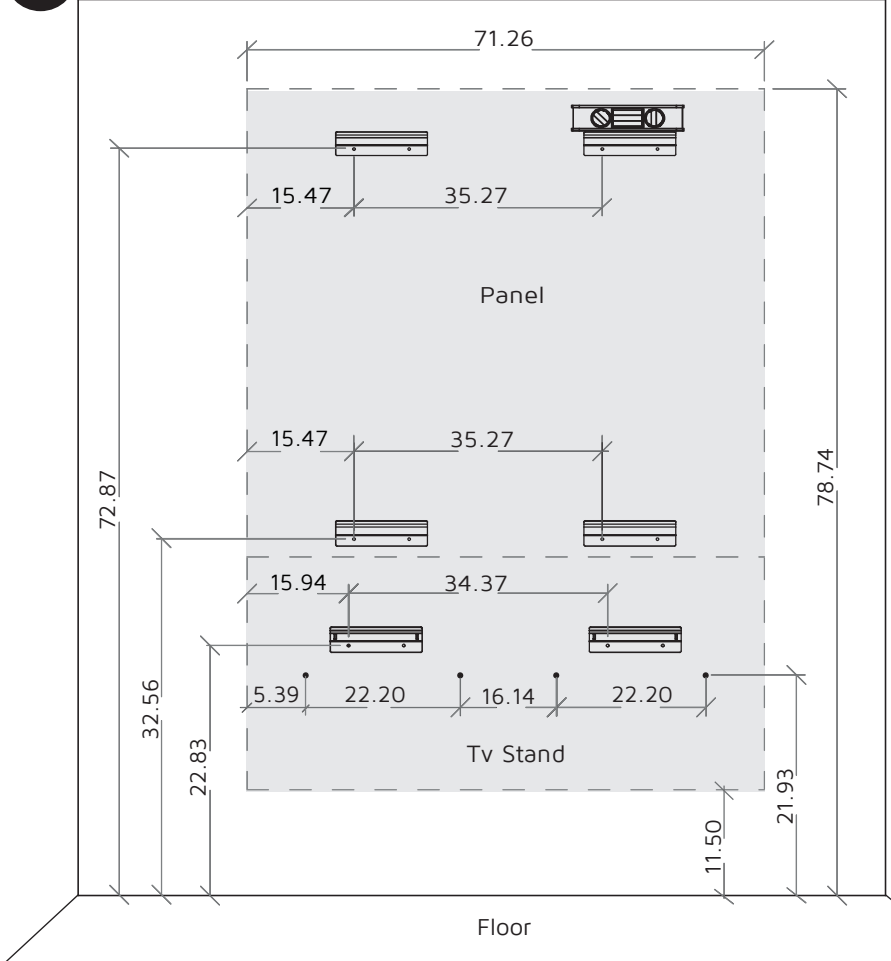
08

COD. 3527 H	COD. 9070 L	COD. 2088 O	COD. 9069 Q	COD. 6024 U
-----------------------	-----------------------	-----------------------	-----------------------	-----------------------

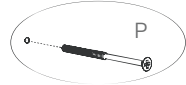
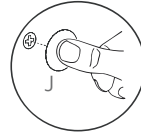
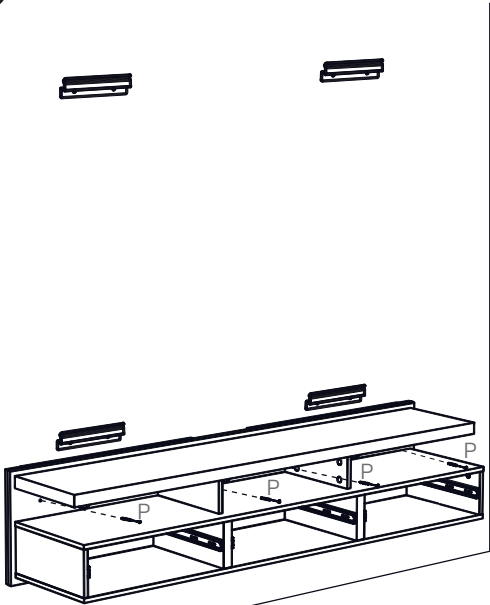


09

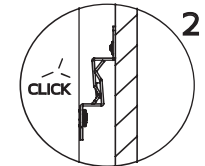
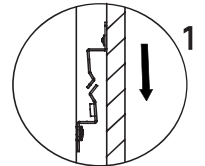
Measurement to drill the wall.



10

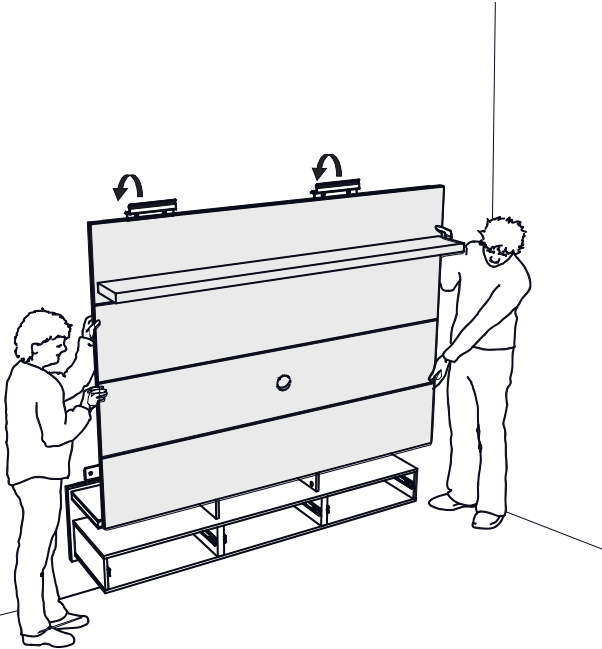


SAFETY SCREW



ATTENTION
Pass the cables through the wire channel before screwing (P)

11



ATTENTION
Pass the cables through the back before Panel.

12

DETAIL

