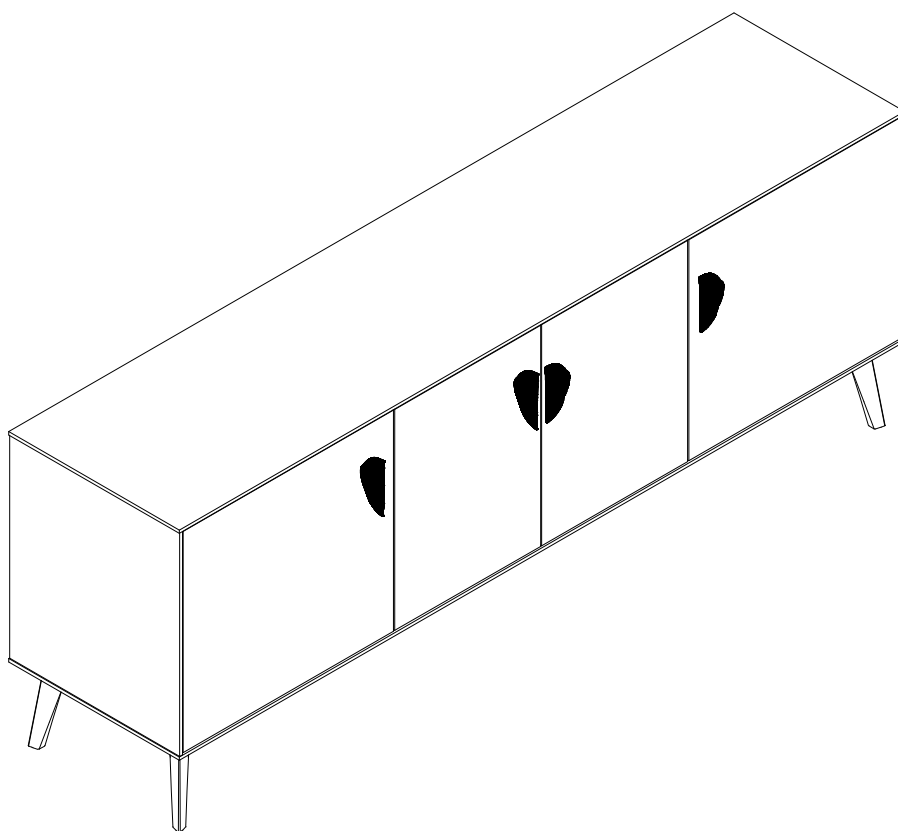




MANHATTAN
COMFORT

SB002



Ver. 05032024

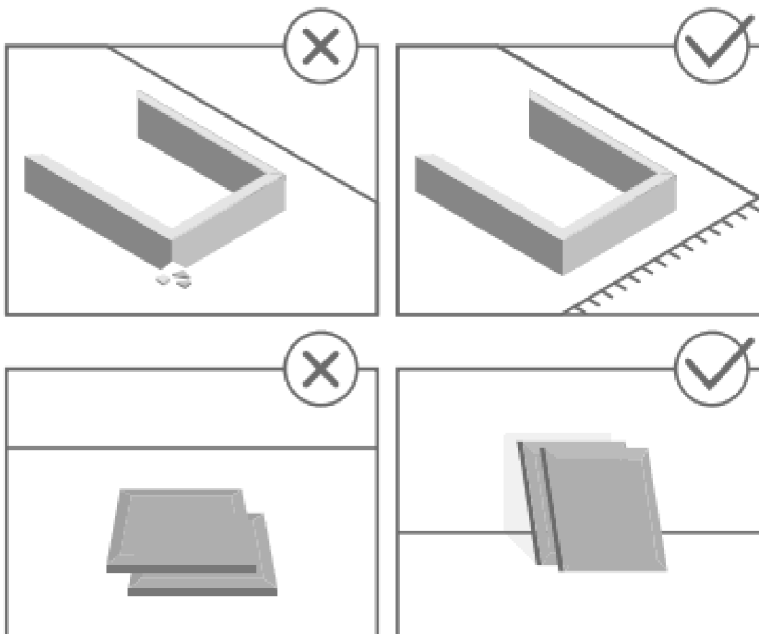


STOP!

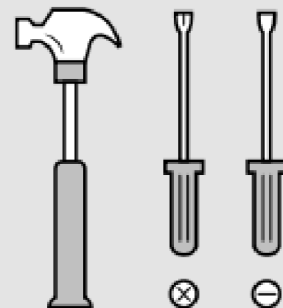
Before beginning the assembly process, ensure all boxes and parts have been delivered.

FOR BEST RESULTS:

- Do not throw away packaging materials until assembly is complete.
- Assemble item on a soft surface, such as cardboard or carpet, to protect finish.
- Proper assembly requires two people.



TOOLS REQUIRED



SUPPORT SITE



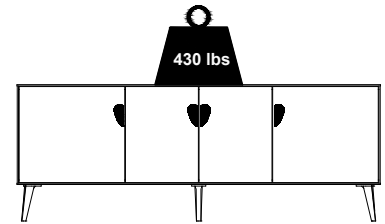
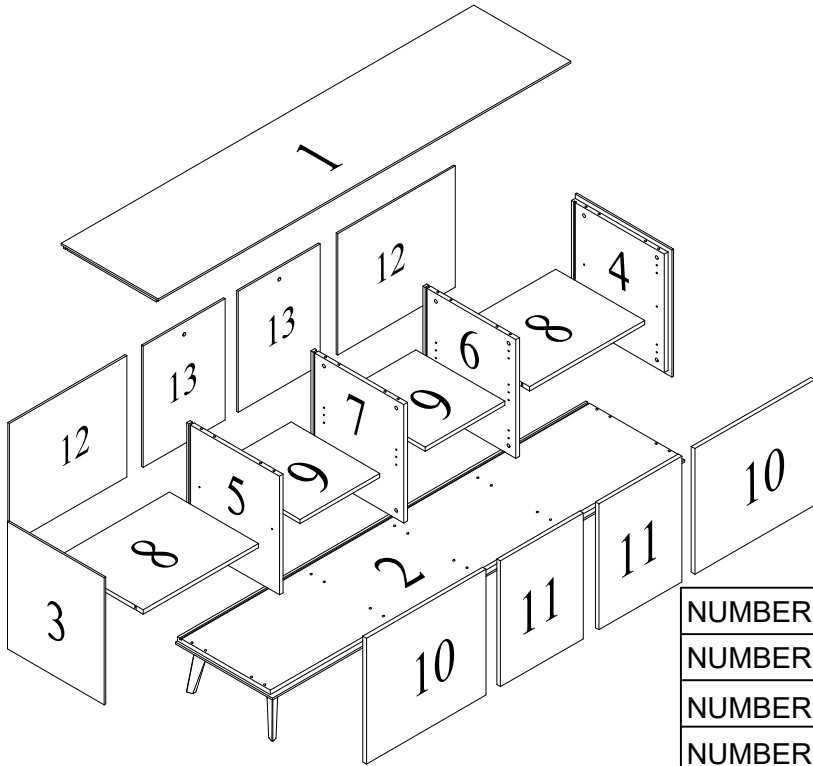
View our assembly video online:
WWW.MANHATTANCOMFORT.COM



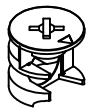
Stuck? Question? We are here to help.
tel: **908-888-0818**
e-mail: help@manhattancomfort.com



PARTS SUPPLIED FOR ASSEMBLY



NUMBER 1- TOP PANEL X1
NUMBER 2- BOTTOM PANEL X1
NUMBER 3- LEFT SIDE PANEL X1
NUMBER 4- RIGHT SIDE PANEL X1
NUMBER 5- MID LEFT SIDE PANEL X1
NUMBER 6- MID RIGHT SIDE PANEL X1
NUMBER 7- MID SIDE PANEL X1
NUMBER 8- SHELF X2
NUMBER 9- MOVABLE SHELF X2
NUMBER 10- INTERIOR CABINET COVER X2
NUMBER 11- EXTERNAL CABINET COVER X2
NUMBER 12- BACK PANEL X2
NUMBER 13- MID BACK PANEL X2
Total 18 Pcs. + Hardware Box



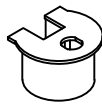
A X 20 PCS



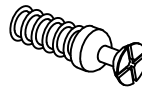
B X 20 PCS



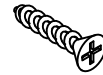
C X 20 PCS



D X 8 PCS



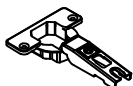
E X 8 PCS



F X 16 PCS



G X 28 PCS



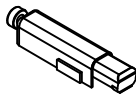
H X 4 PCS



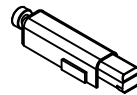
I X 4 PCS



J X 8 PCS



K X 2 PCS



L X 2 PCS



R X 12 PCS



M X 21 PCS



T X 1 PCS



U X 1 PCS



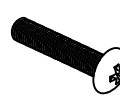
V X 1 PCS



S X 4 PCS



N X 5 PCS



O X 8 PCS

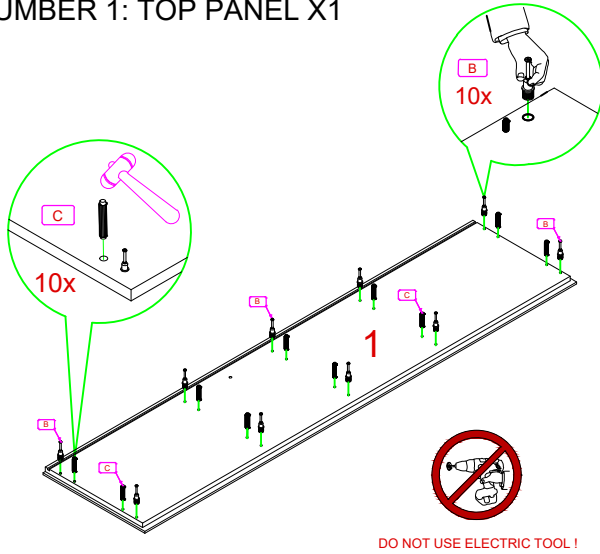


Y X 8 PCS

Step 1

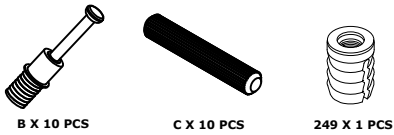
Note: Skipping any steps could lead to improper assembly and damages.
Do not tighten the bolts before finishing all steps.

NUMBER 1: TOP PANEL X1



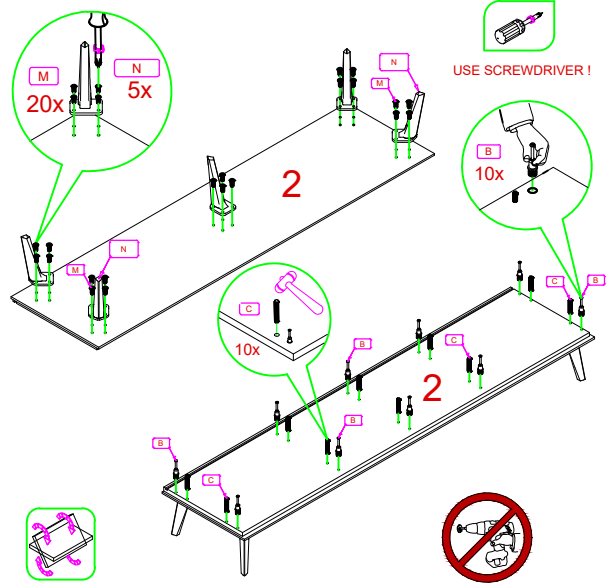
DO NOT USE ELECTRIC TOOL!

Hardware



Step 2

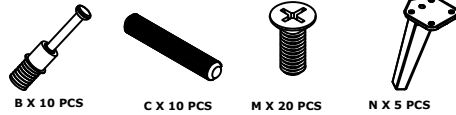
NUMBER 2: BOTTOM PANEL X1



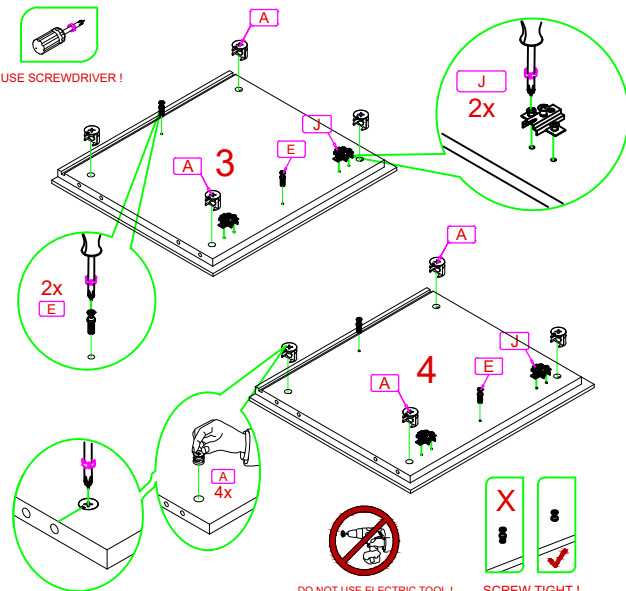
TURN THE PANEL UPSIDE DOWN!

DO NOT USE ELECTRIC TOOL!

Hardware



Step 3 NUMBER 3: LEFT SIDE PANEL X1 NUMBER 4: RIGHT SIDE PANEL X1



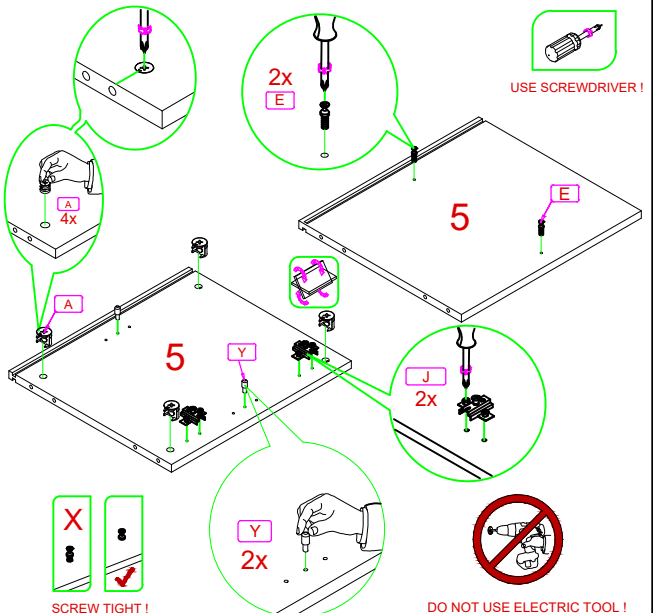
DO NOT USE ELECTRIC TOOL!

SCREW TIGHT!

Hardware



Step 4 NUMBER 5: MID LEFT SIDE PANEL X1



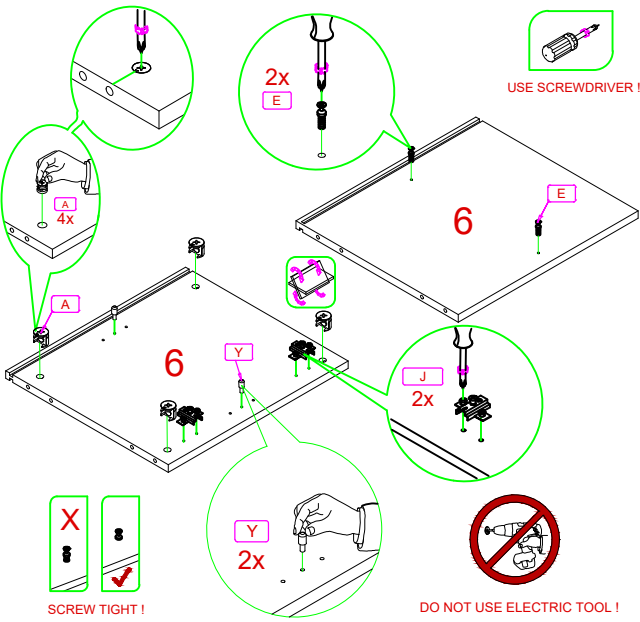
SCREW TIGHT!

DO NOT USE ELECTRIC TOOL!

Hardware



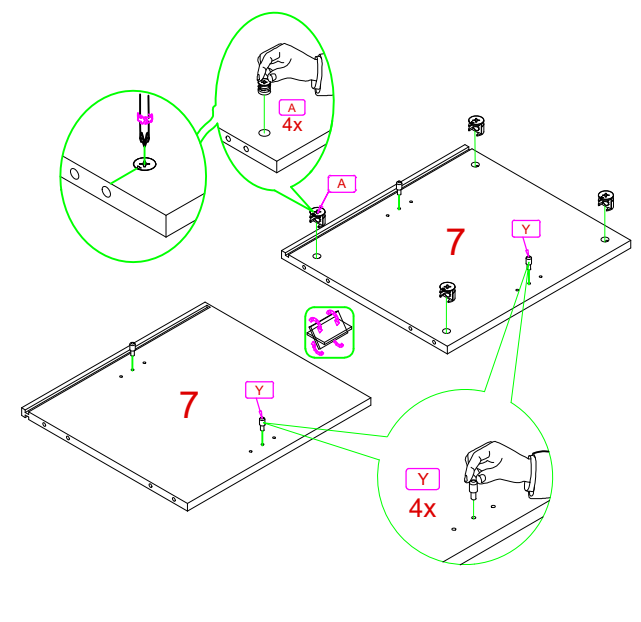
Step 5 NUMBER 6: MID RIGHT SIDE PANEL X1



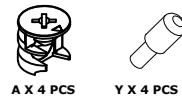
Hardware



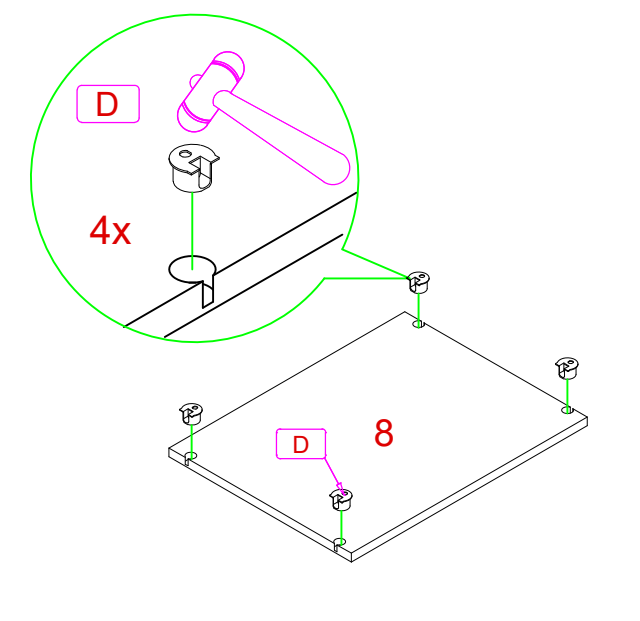
Step 6 NUMBER 7: MID SIDE PANEL X1



Hardware



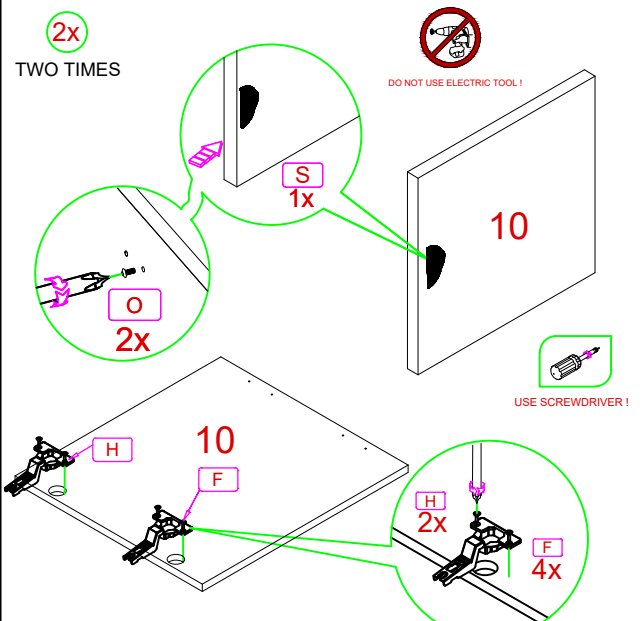
Step 7 NUMBER 8: SHELF X2



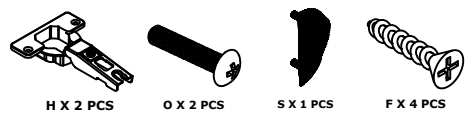
Hardware



Step 8 NUMBER 10: INTERIOR CABINET COVER X2



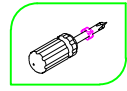
Hardware



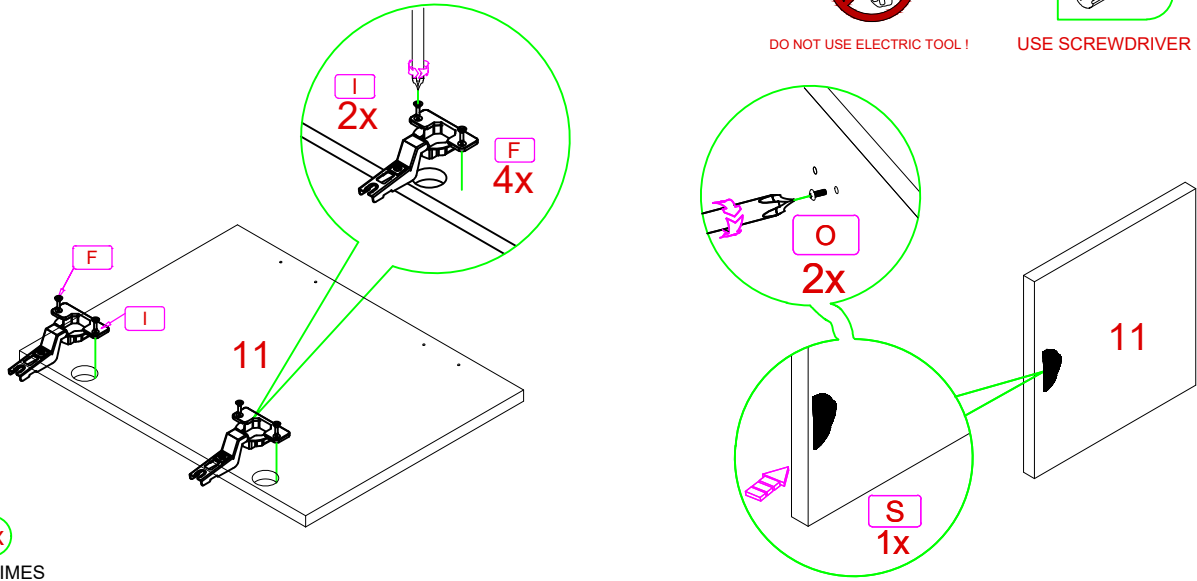
Step 9 NUMBER 11: EXTERNAL CABINET COVER X2



DO NOT USE ELECTRIC TOOL!



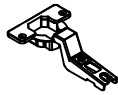
USE SCREWDRIVER!



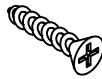
2x

TWO TIMES

Hardware



I X 2 PCS



F X 4 PCS

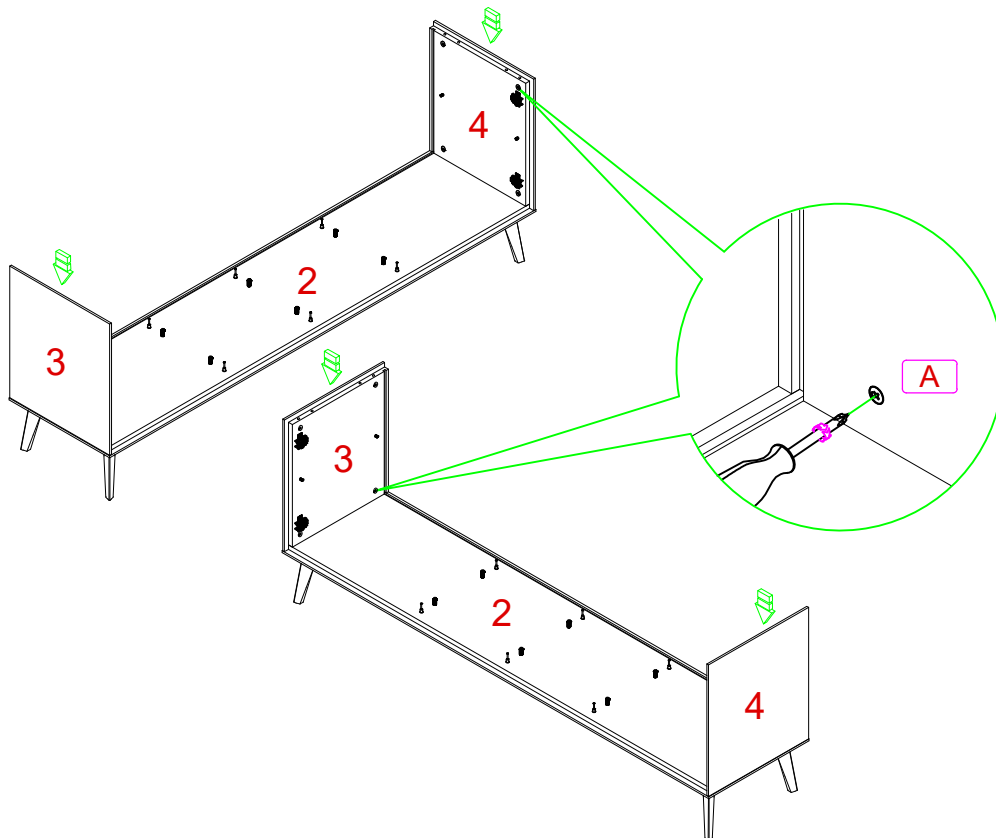


O X 2 PCS

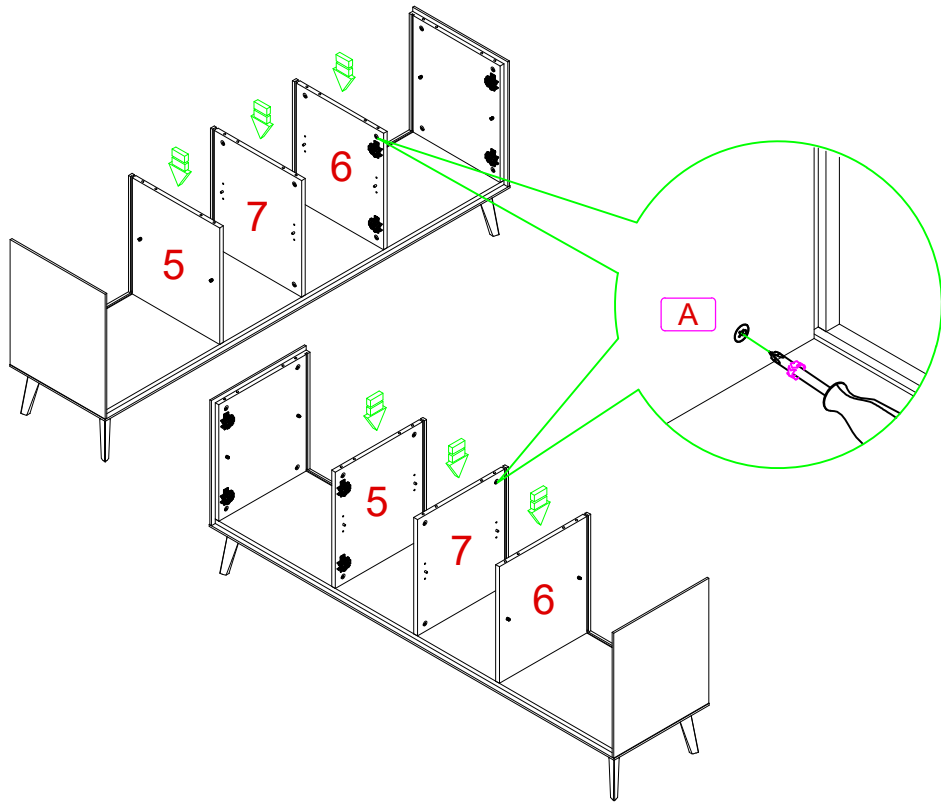


S X 1 PCS

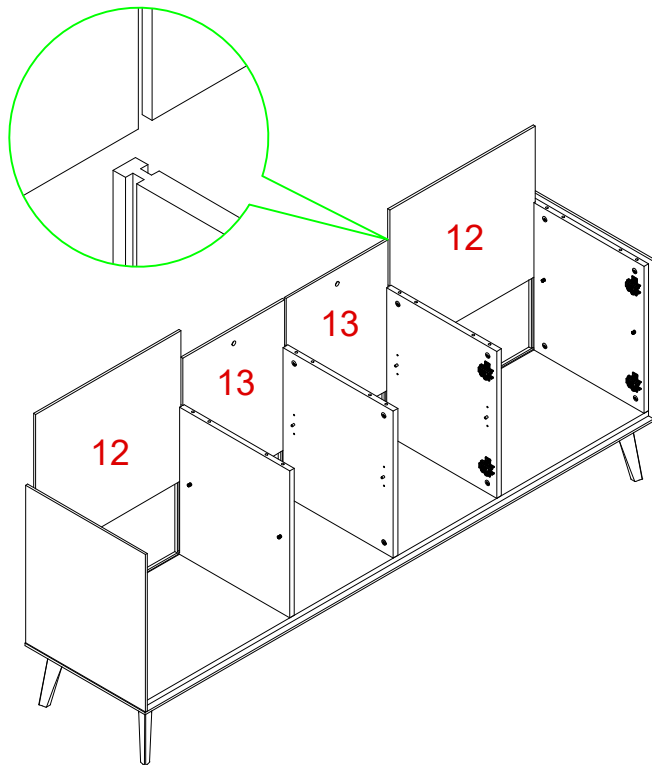
Step 10



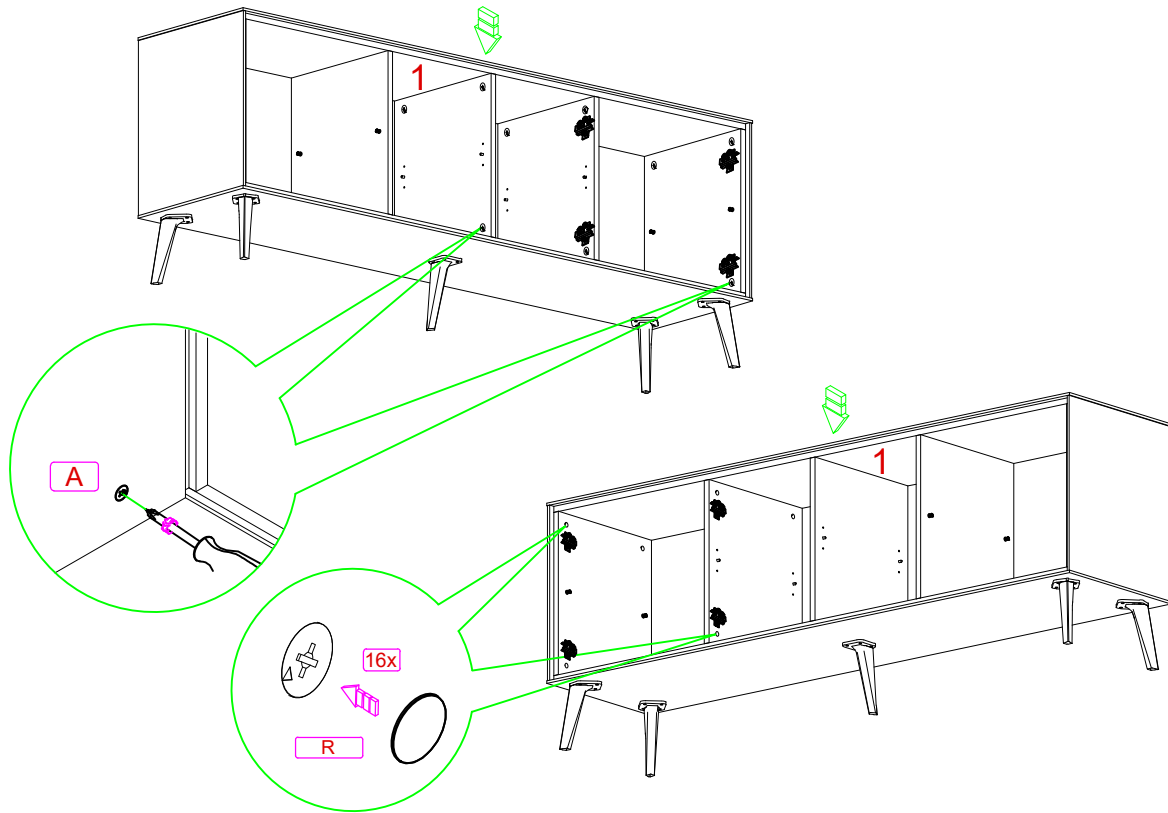
Step 11



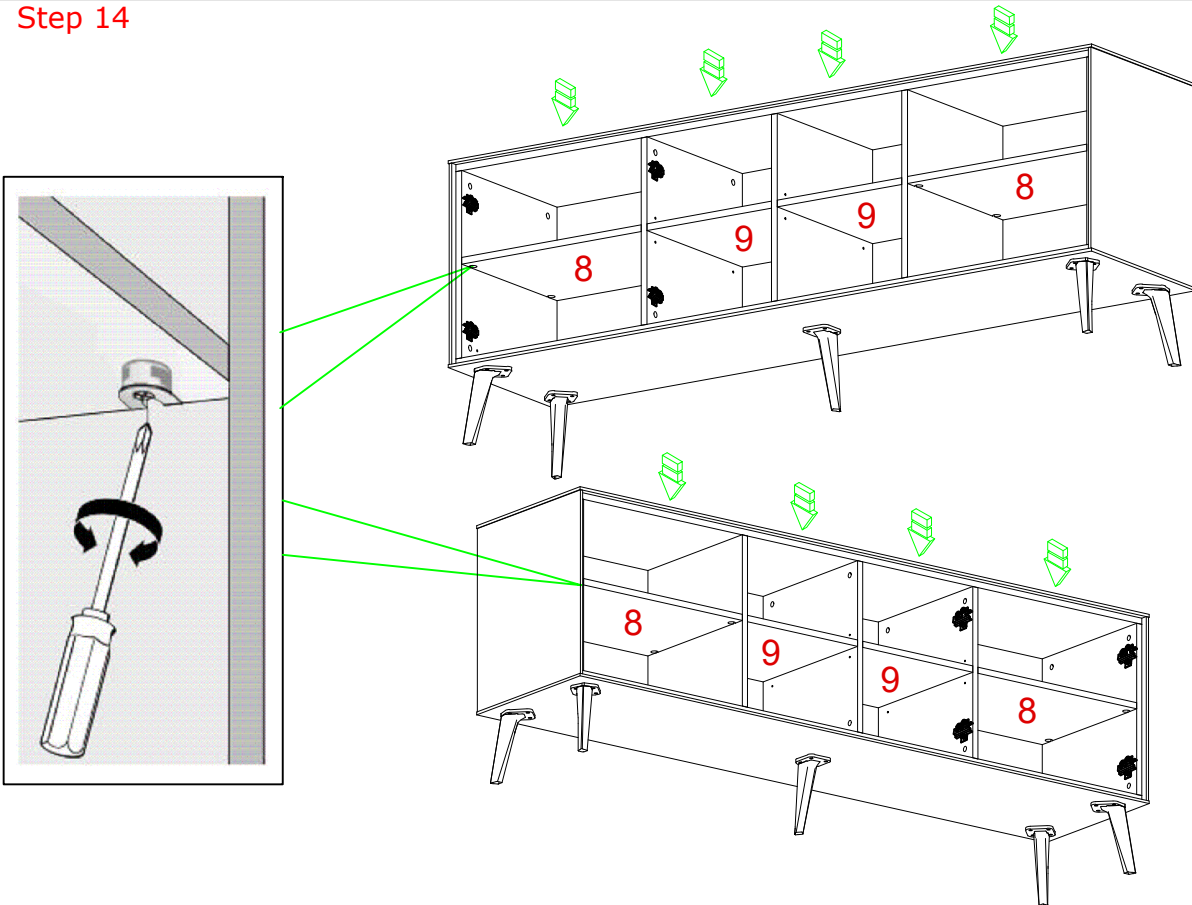
Step 12



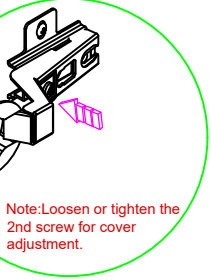
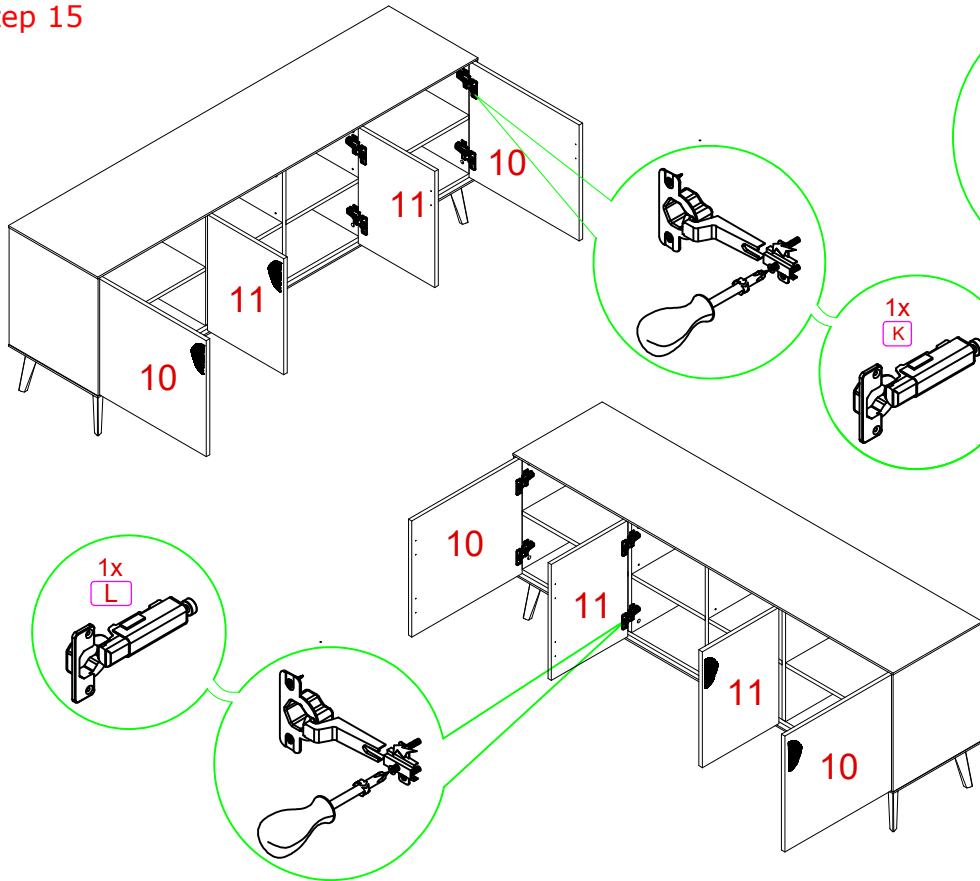
Step 13



Step 14



Step 15



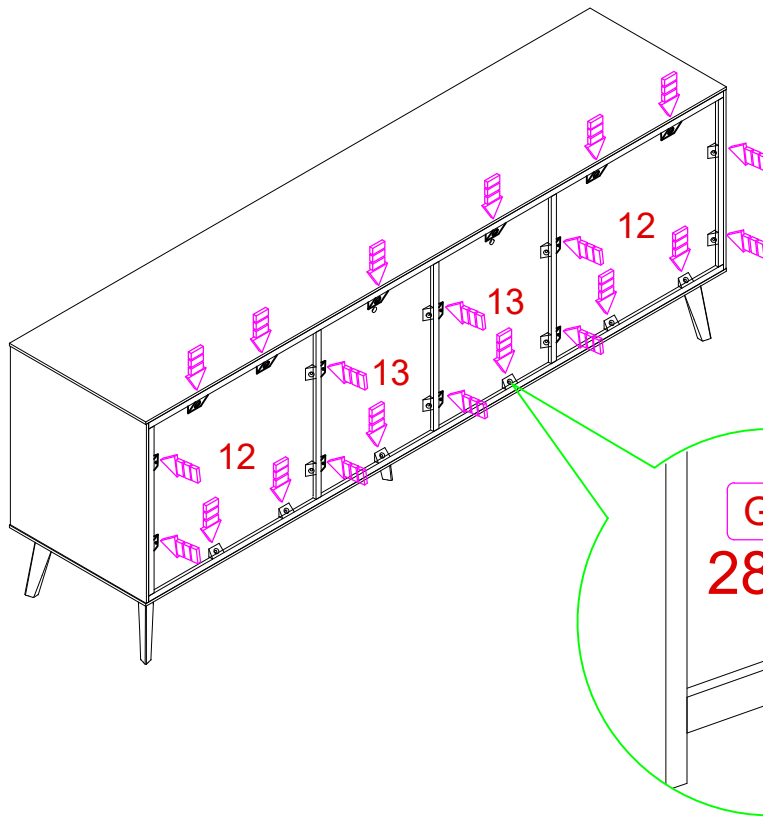
Hardware

L X 2 PCS

Hardware

K X 2 PCS

Step 16

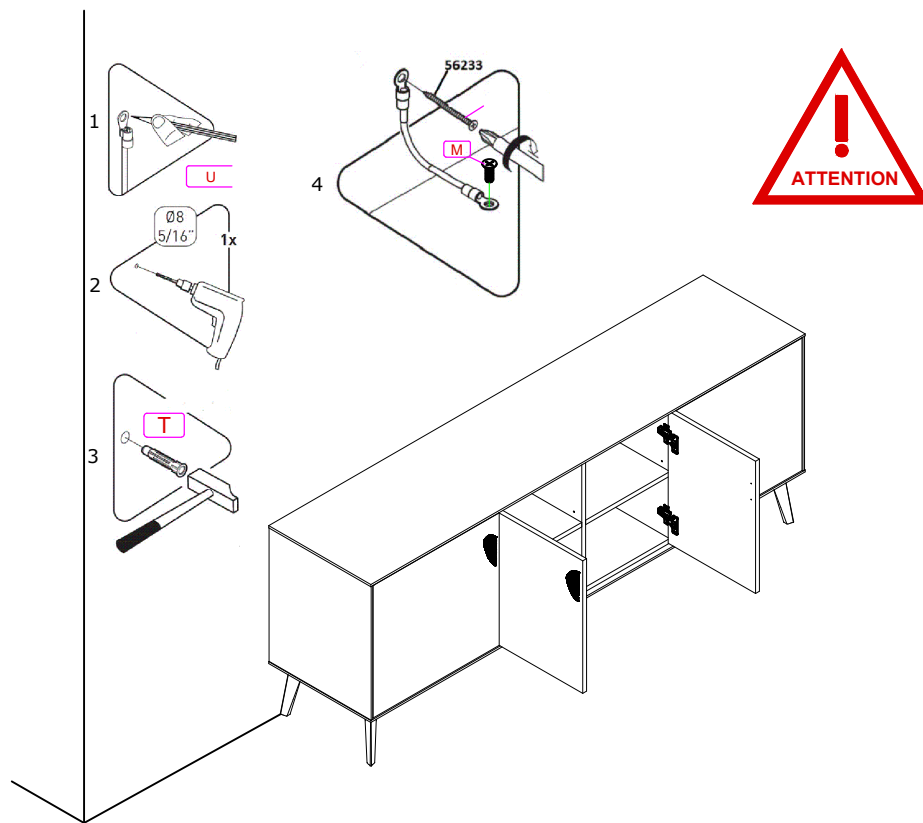


Hardware

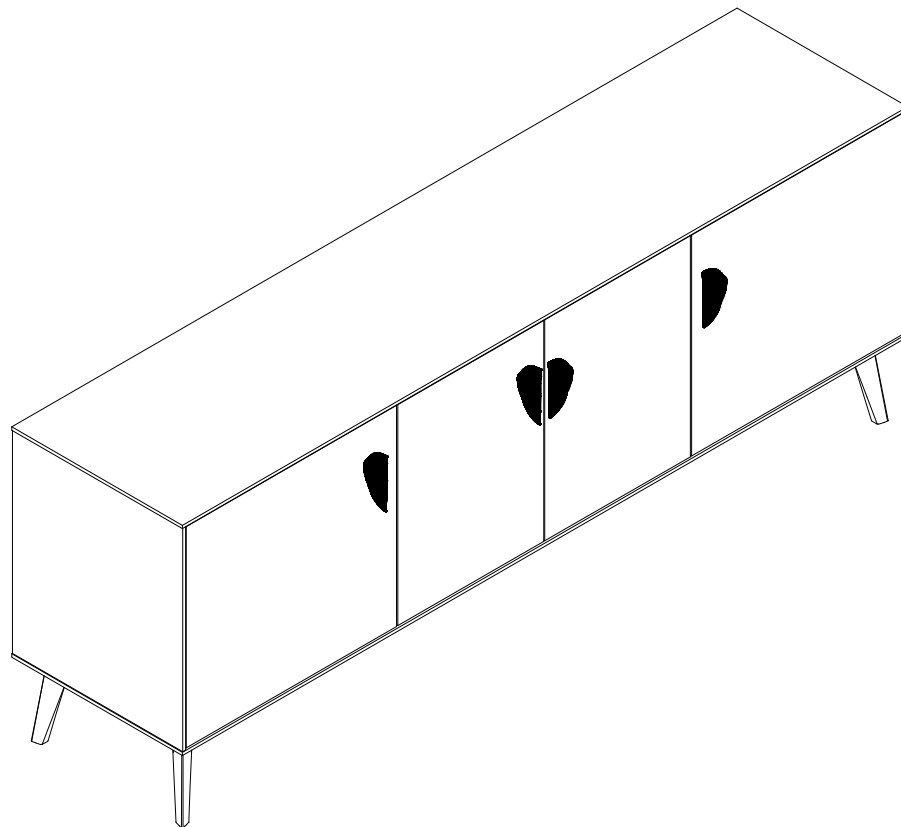
GX 28 PCS

FX 28 PCS

Step 17



Step 18





MANHATTAN
COMFORT

WARRANTY POLICY

All Manhattan Comfort furniture products are warranted, to the original purchaser at the time of purchase and for a period of 30 days thereafter.

Our warranty is limited to new products purchased in factory sealed cartons. This warranty is valid in the United States of America and Canada.

In order to provide you with timely assistance, please thoroughly inspect your furniture for missing or defective parts immediately after opening the carton.

Manhattan Comfort offers a 30-day parts replacement warranty on all items.

Our furniture products are not intended for outdoor use.

THE WARRANTY DOES NOT COVER:

- Defects/damages by improper assembly or disassembly.
- Defects/damages caused by shipping. Claims for damage during transit should be placed immediately to the transportation company.
- Defects/damages caused by inappropriate use of the furniture.



319 Ridge Rd. Dayton, NJ 08810
908-888-0818