



MANHATTAN  
COMFORT

888-230-2225

[help@manhattancomfort.com](mailto:help@manhattancomfort.com)

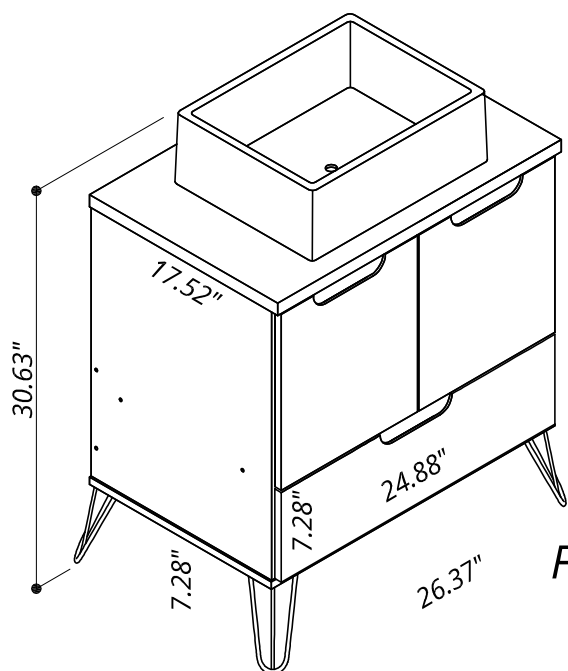
*319 Ridge Rd, Dayton, NJ08810, New Jersey - United States*



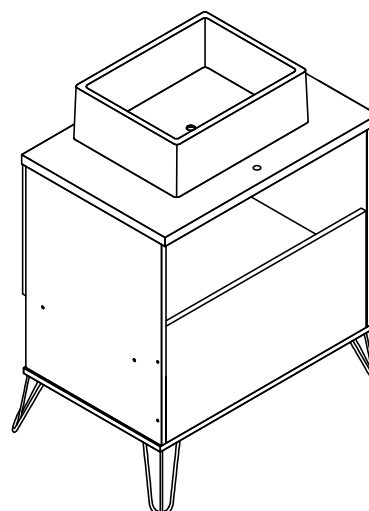
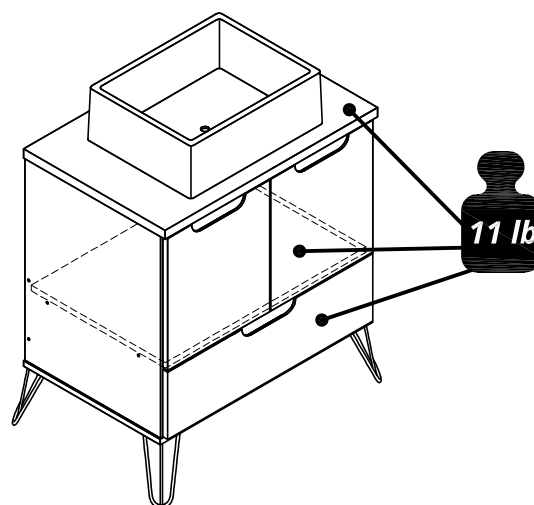
***Rockefeller***

***Bathroom Vanity Sink 1.0***

*You can access the QR code to watch the assembly video!*

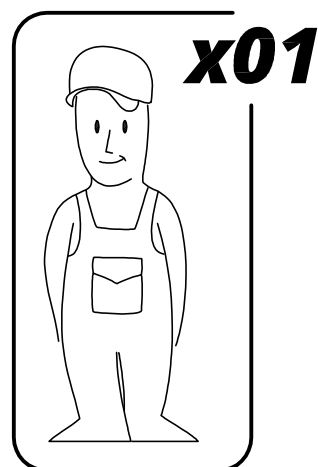
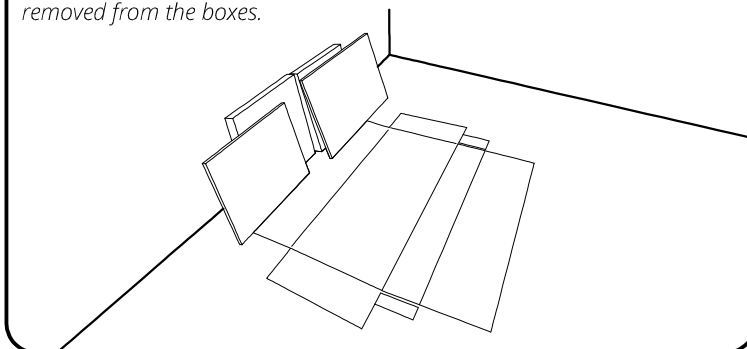


Front view

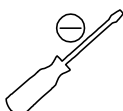
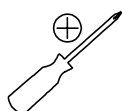


Rear view

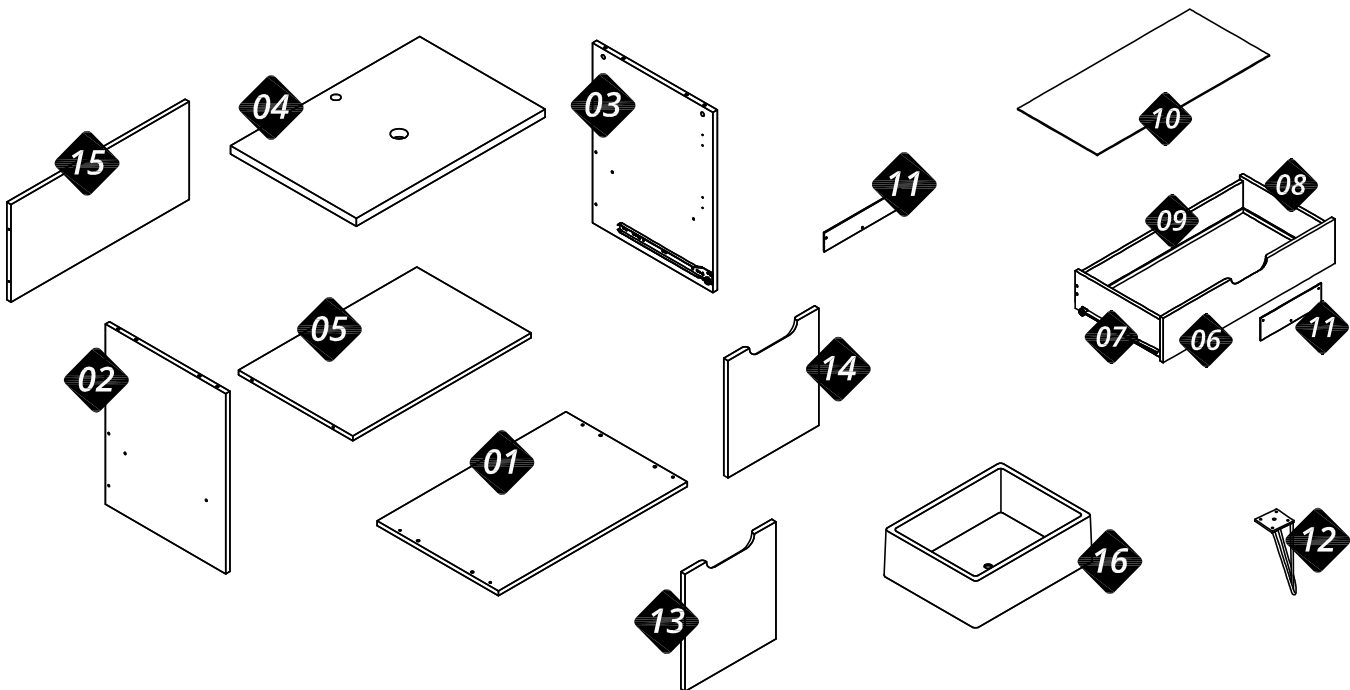
Prepare the room before starting the assembly, leaving it completely clean and the area in good condition to start the work.  
Use the cardboard of the packaging to separate and support the parts removed from the boxes.



Recommended tools (not included)



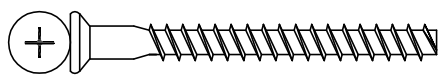
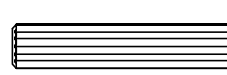
## Parts



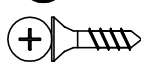
N°	Description	Qty.	Box
01	Base board	01	02
02	Left side panel	01	01
03	Right side panel	01	01
04	Top panel	01	02
05	Shelf	01	01
06	Front of the drawer	01	01
07	Left side panel of the drawer	01	01
08	Right side panel of the drawer	01	01
09	Rear panel of the drawer	01	01
10	Base of the drawer	01	01
11	Decorative apply	03	02
12	Feet	04	01
13	Left door	01	01
14	Right door	01	01
15	Rear panel	01	01
16	Vessel sink	01	02

## Hardware (box 02)

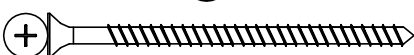
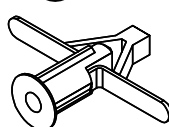
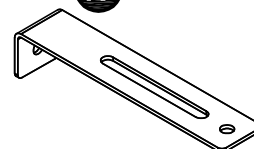
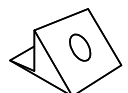
**A** 40x

**B** 16x

**C** 08x

**D** 08x

**E** 08x

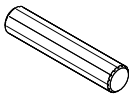
**F** 15x

**G** 04x

**H** 08x

**I** 01x

**J** 01x

**K** 01x

**L** 04x


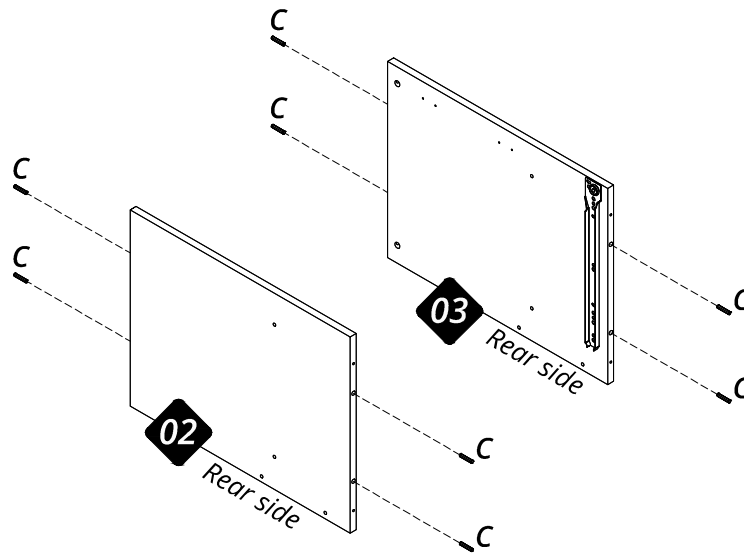
**Attention, all the assemblage must be done on the cardboard box or the Styrofoam boards to avoid damage to the parts.**

### Step 01

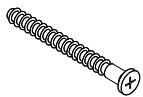


C = 08x

Insert the hardware (C) into the parts 02 and 03.

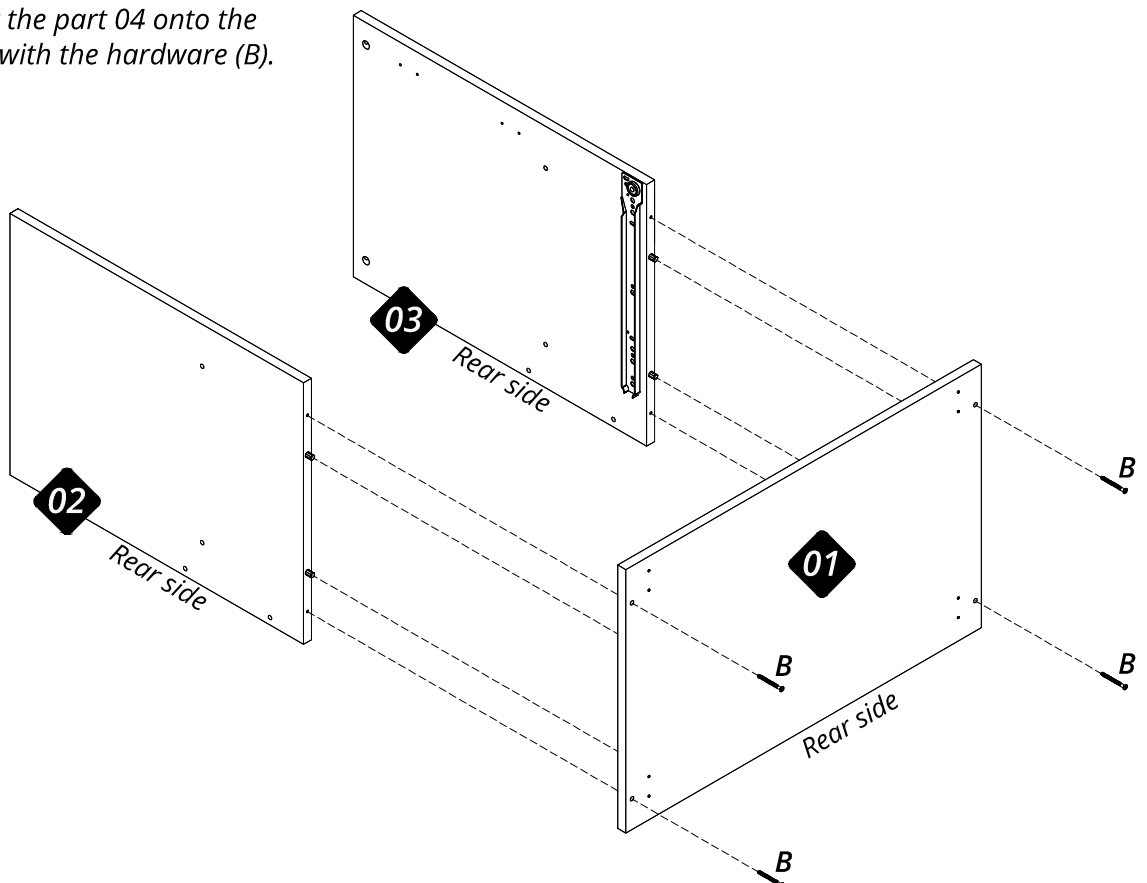


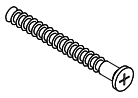
### Step 02



B = 04x

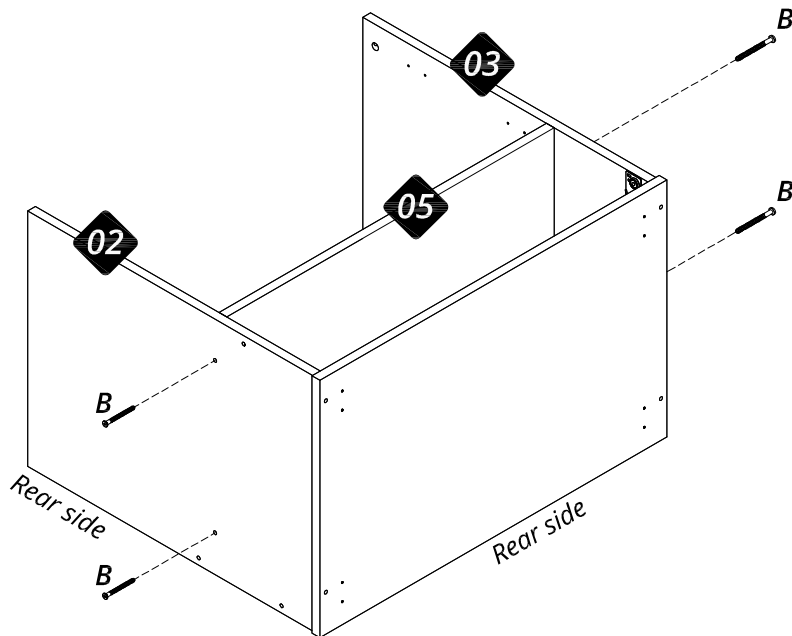
Connect the part 04 onto the part 01 with the hardware (B).



**Step 03**

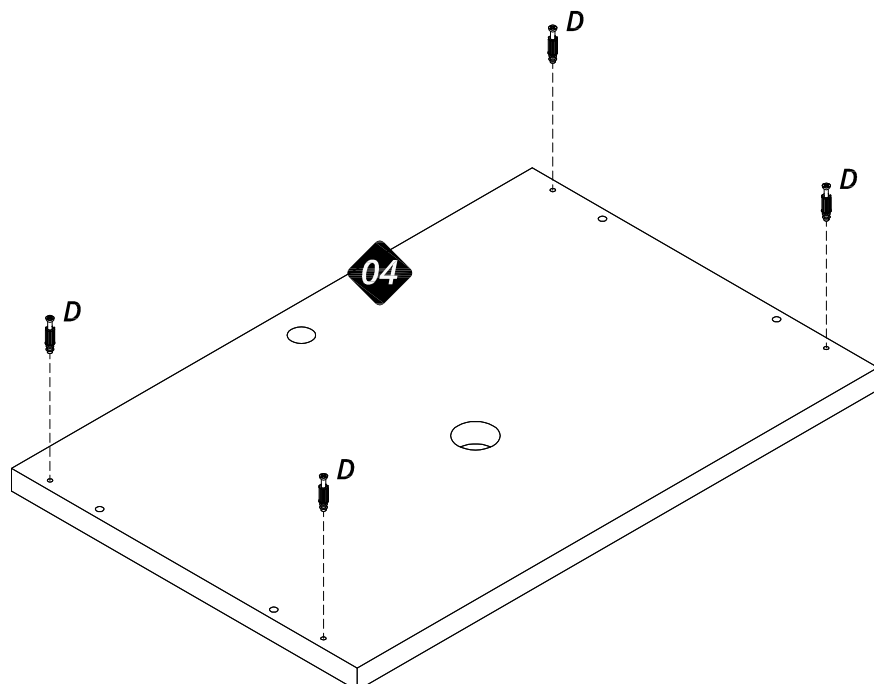
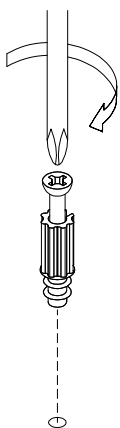
B = 04x

Connect the part 05 onto the parts 02 and 03 with the hardware (B).

**Step 04**

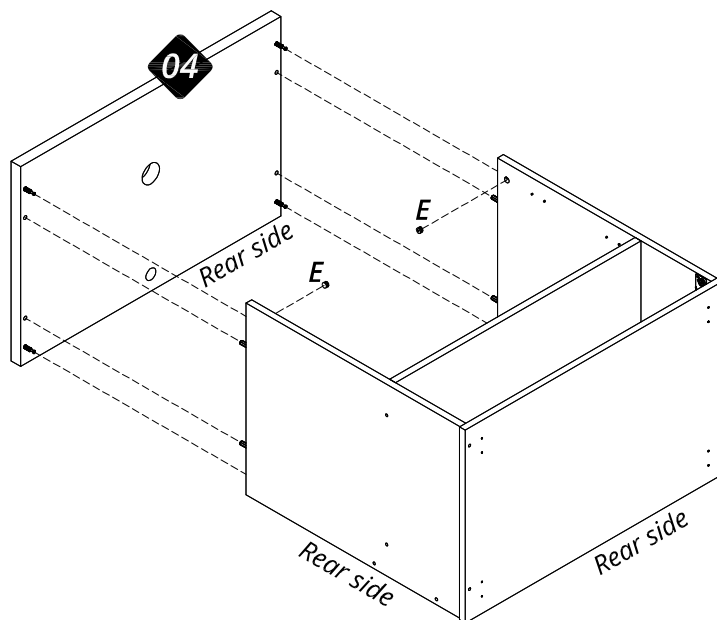
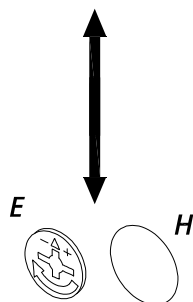
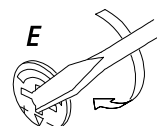
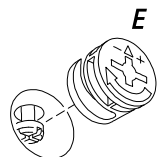
D = 04x

Apply the hardware (D) into the part 04.



**Step 05** $E = 04x$  $H = 04x$ 

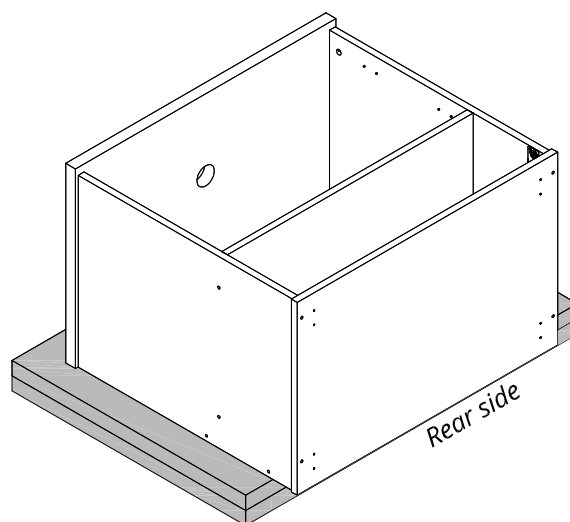
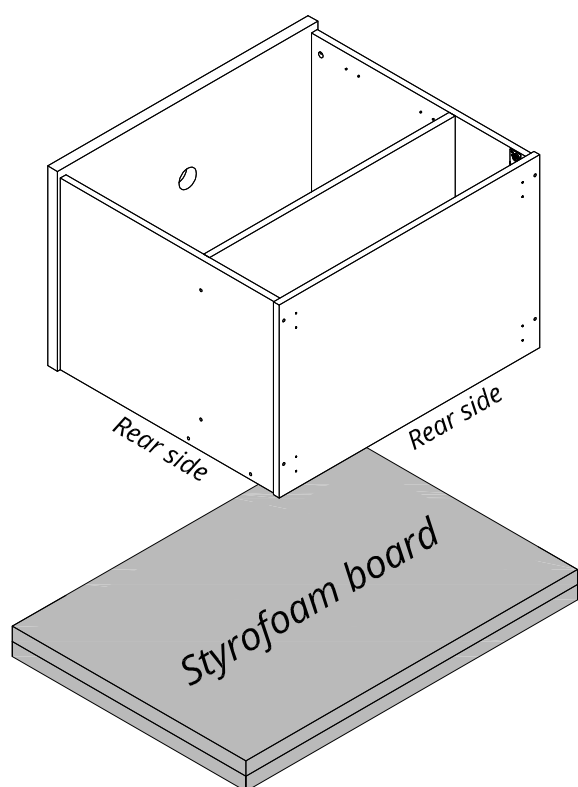
Connect the part 04 onto the parts 02 and 03 with the hardware E.



Apply the hardware (H) onto the hardware (E).

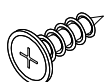
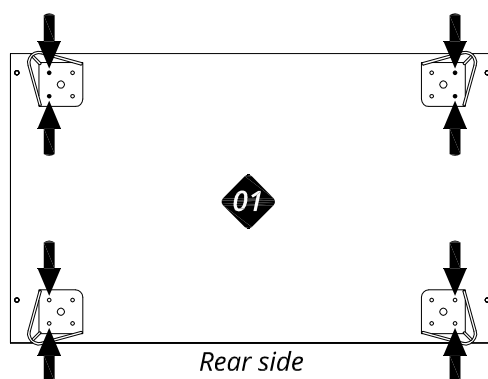
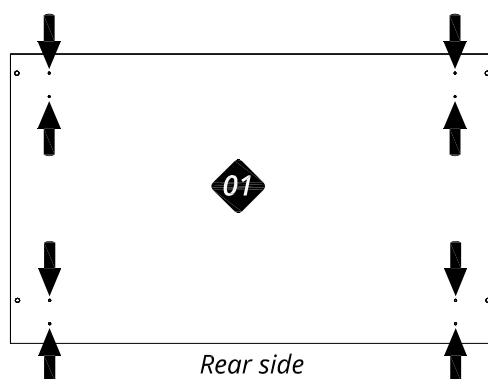
**Step 06**

Use some pieces of Styrofoam boards (package part) to avoid contact of the feet (part 12) with the floor.



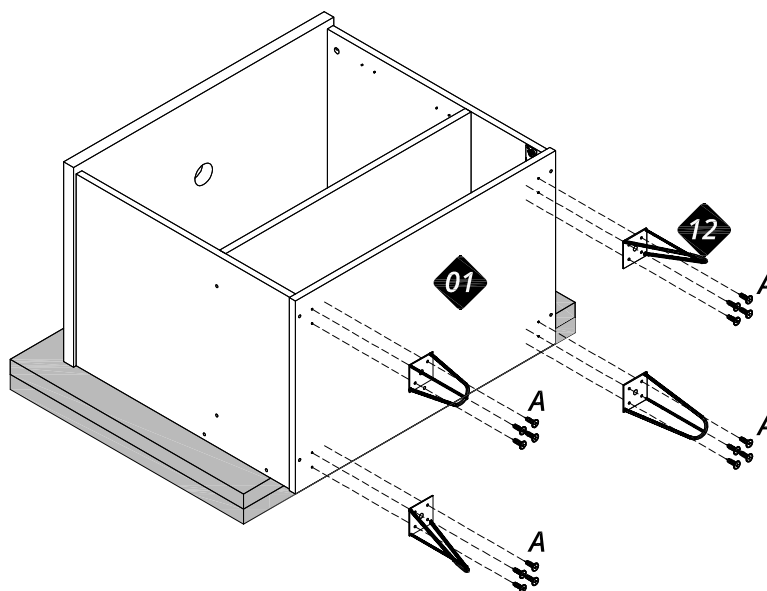
**Step 07**

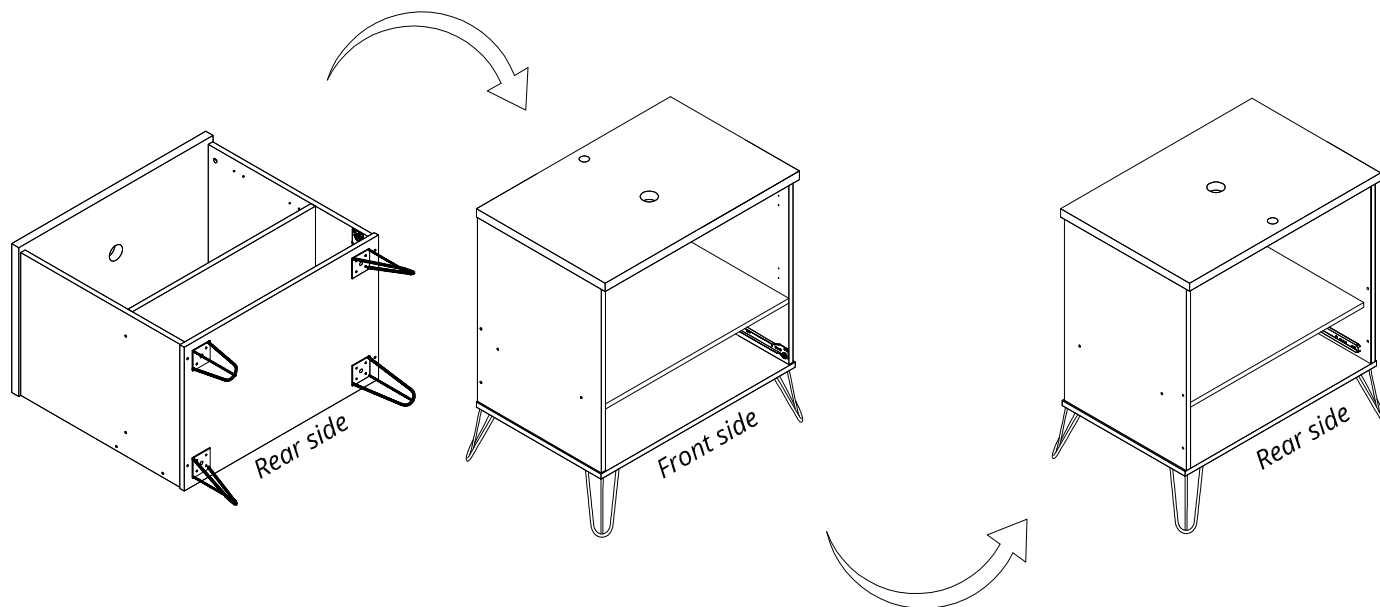
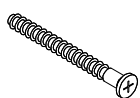
Pay attention to the correct position of the feet.  
The arrows refers to the correct holes to align the feet.



A = 16x

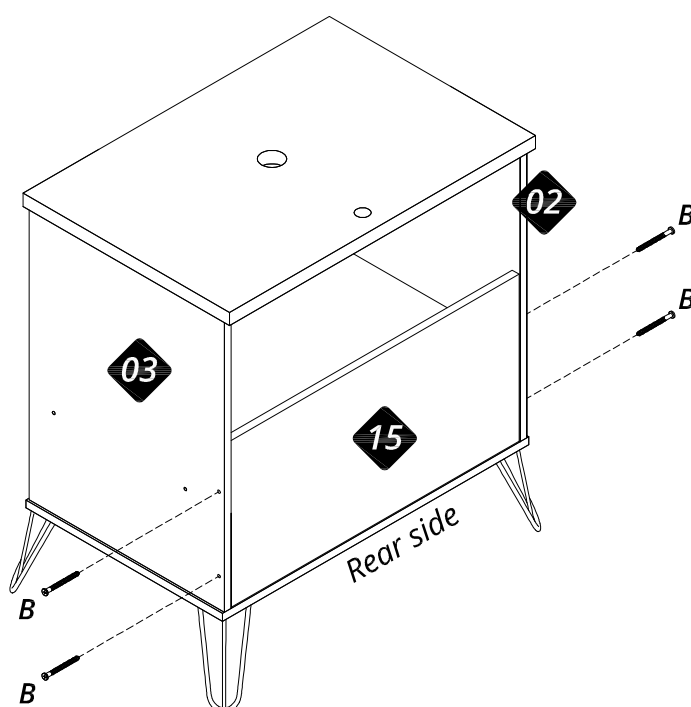
Connect the parts 12 onto the part 01 with the hardware (A).



**Step 08****Step 09**

B = 04x

Connect the part 15 onto the parts 02 and 03 with the hardware (B).



**Step 10**


D = 04x

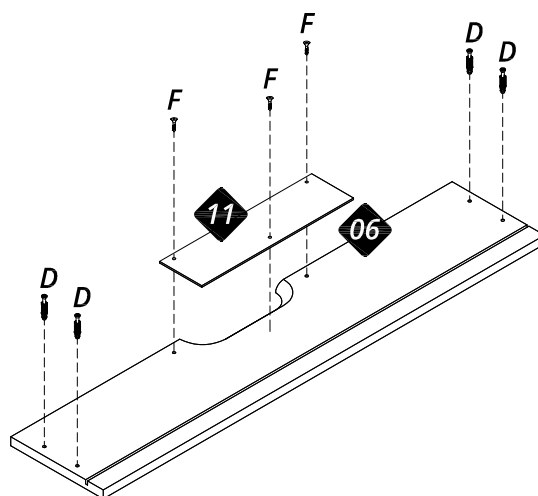
Apply the hardware (D) into the part 06.



F = 03x

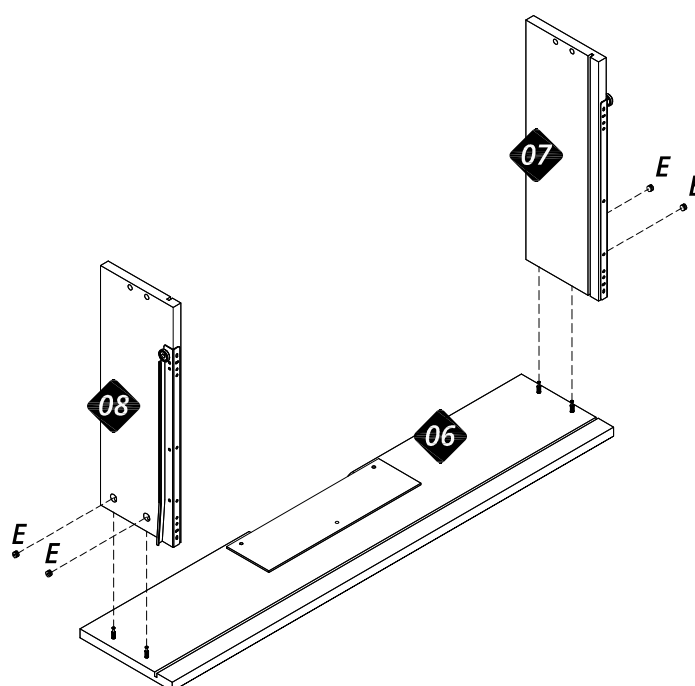
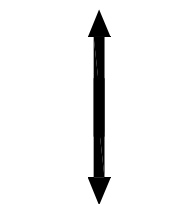
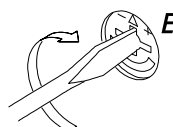
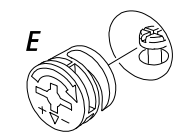
Before applying the part 11, observe if your product has the option of matching colors with the front of the drawer (part 06).

Connect the part 11 onto the part 06 with the hardware (F).


**Step 11**


E = 04x

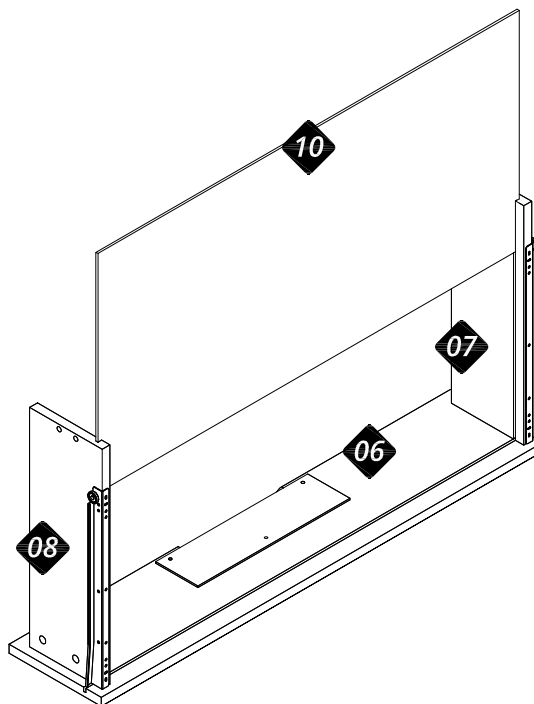
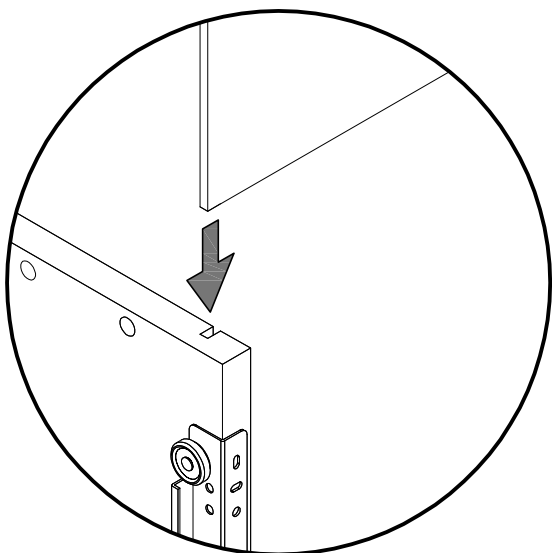
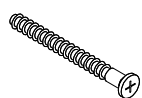
Connect the parts 07, 08 onto the part 06 with the hardware E.



Apply the hardware (H) onto the hardware (E).

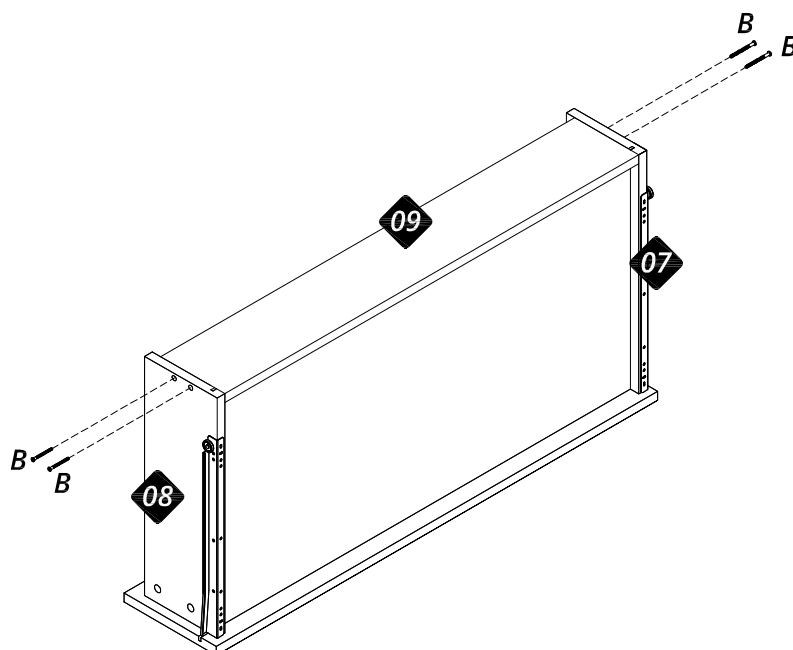
**Step 12**

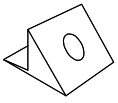
Apply the part 10 in the groove of the parts 07, 08 until the groove of the part 06.

**Step 13**

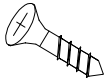
B = 04x

Connect the part 09 onto the parts 07, 08 with the hardware (B).



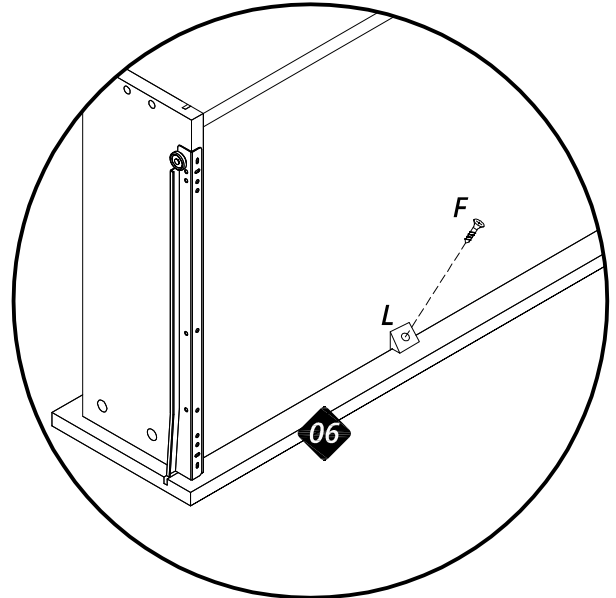
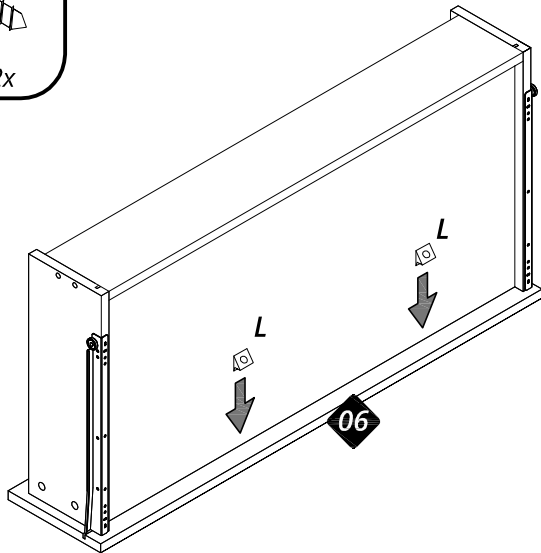
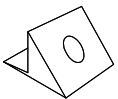
**Step 14**

L = 02x

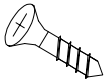


F = 02x

Apply the hardware (L + F) into the groove of the part 06 as shown on detail.

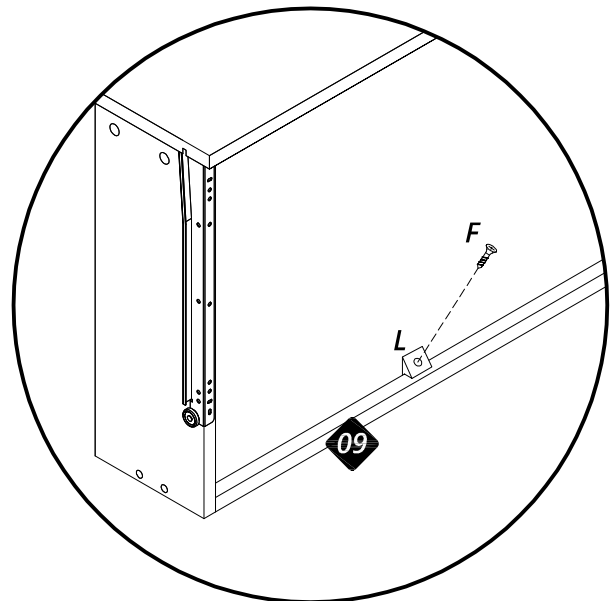
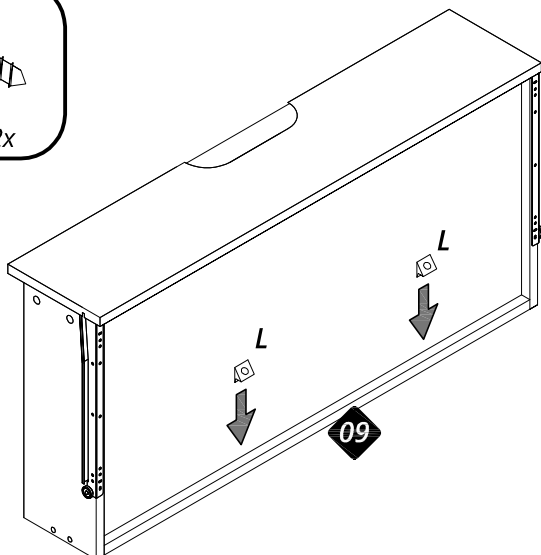
**Step 15**

L = 02x



F = 02x

Apply the hardware (L + F) into the groove of the part 09 as shown on detail.

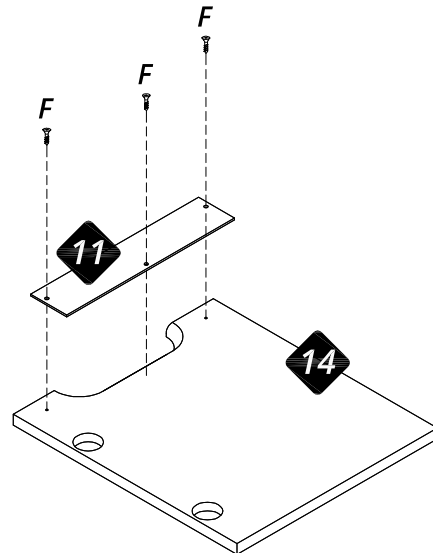
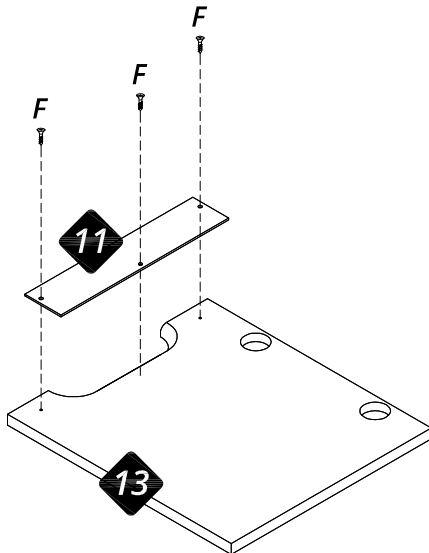
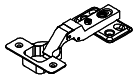


**Step 16**

F = 06x

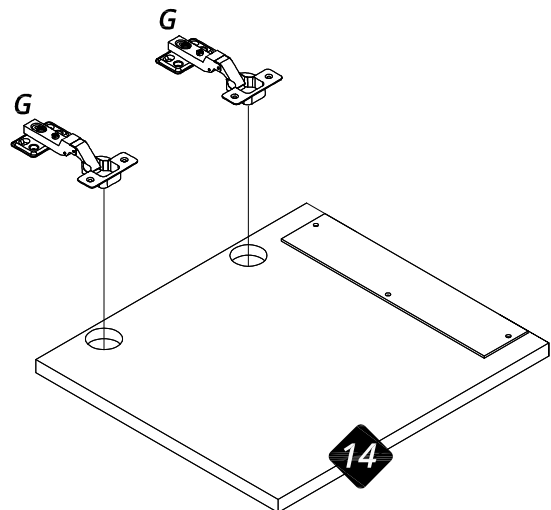
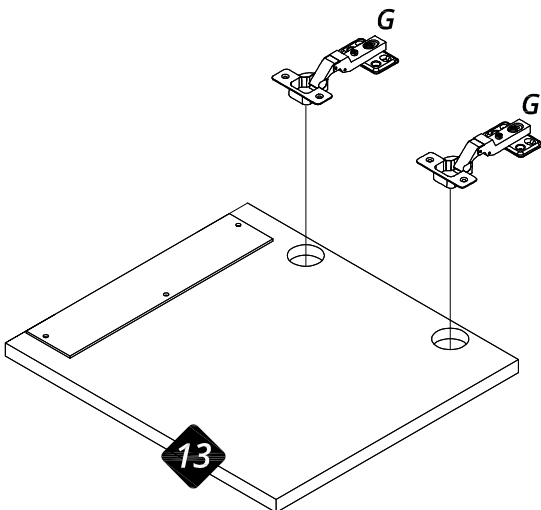
Before applying the part 11, observe if your product has the option of matching colors with the front of the drawer (part 06).

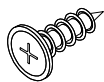
Connect the part 11 onto the part 06 with the hardware (F).

**Step 17**

G = 04x

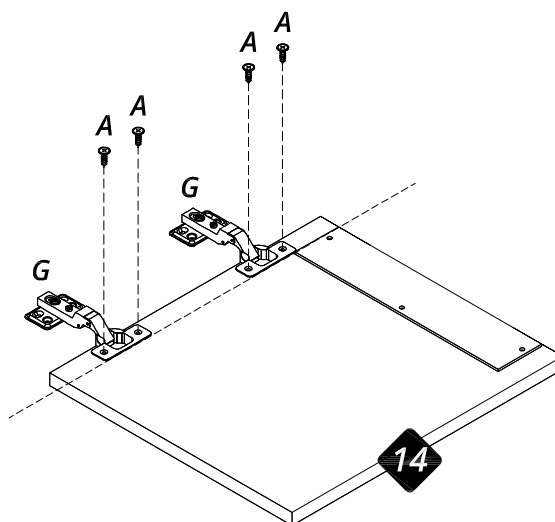
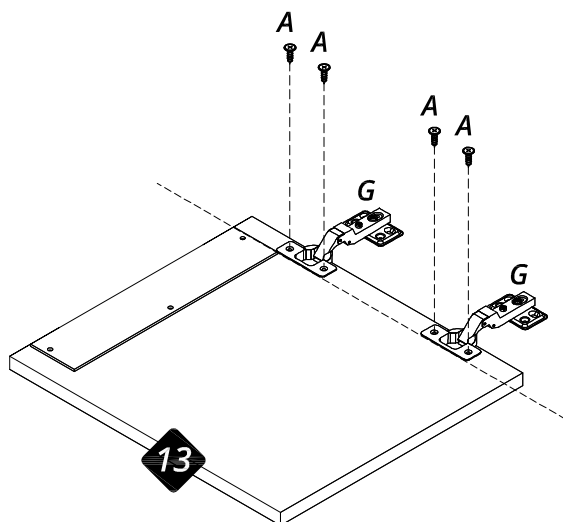
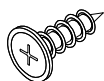
Insert the hardware (G) into the parts 13 and 14.



**Step 18**


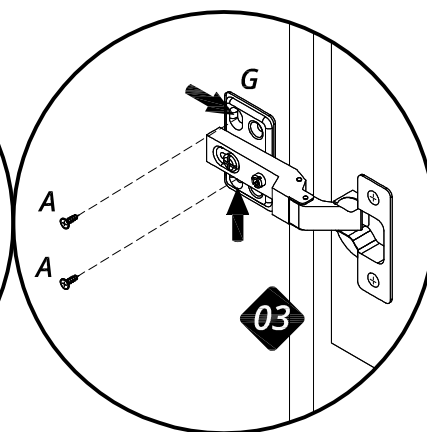
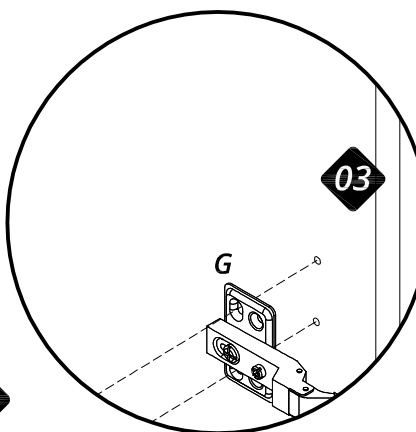
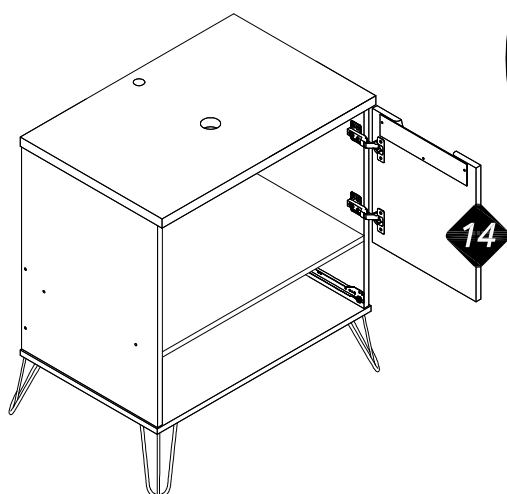
A = 08x

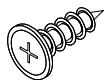
You must align the hardware (G) parallel with the edge of the door before connect them with the hardware (A).


**Step 19**


A = 04x

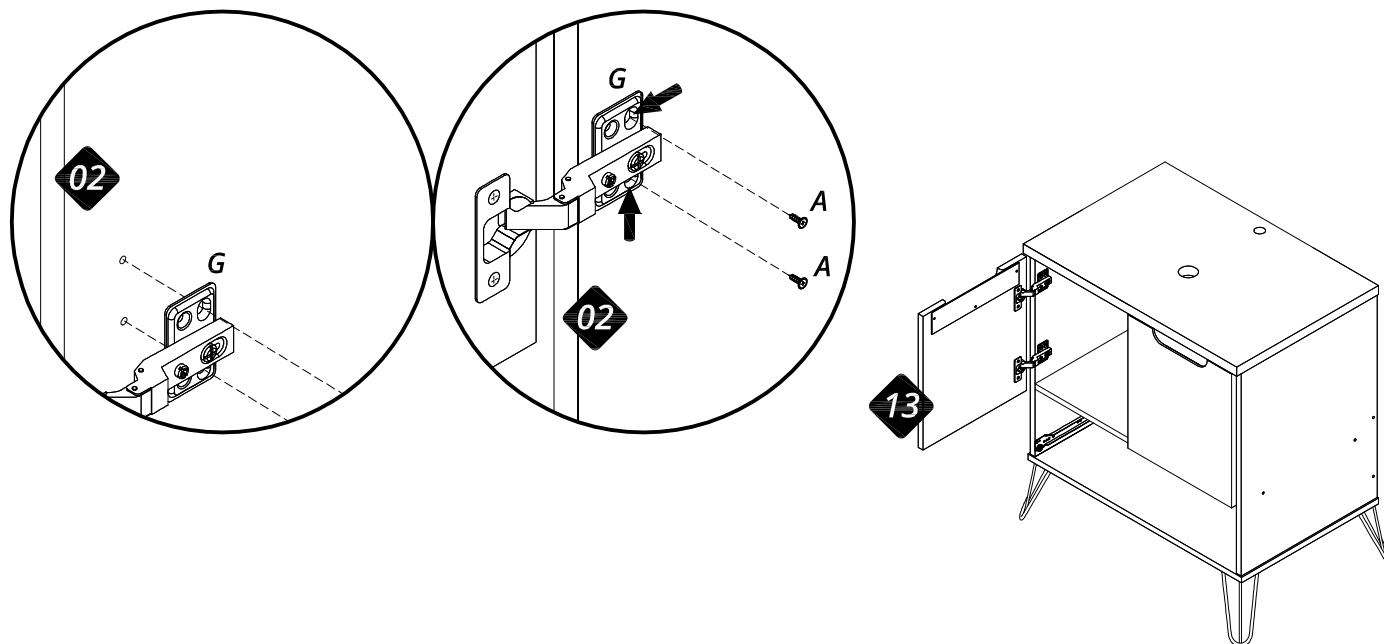
Connect the hardware (G) of the part (14) onto the part (03) with the hardware (A).  
 Attention, fix the hardware (G) in the indicated hinge hole.



**Step 20**


A = 04x

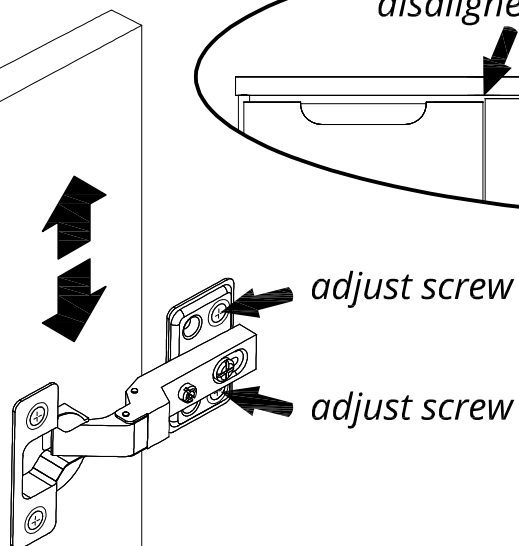
Connect the hardware (G) of the part (13) onto the part (02) with the hardware (A).  
 Attention, fix the hardware (G) in the indicated hinge hole.


**Step 21**
**Doors adjustment process.**

To adjust the alignment of the doors, loosen the indicated screw and adjust the 2 hinges up or down on each door, and after aligned retighten all the screws.

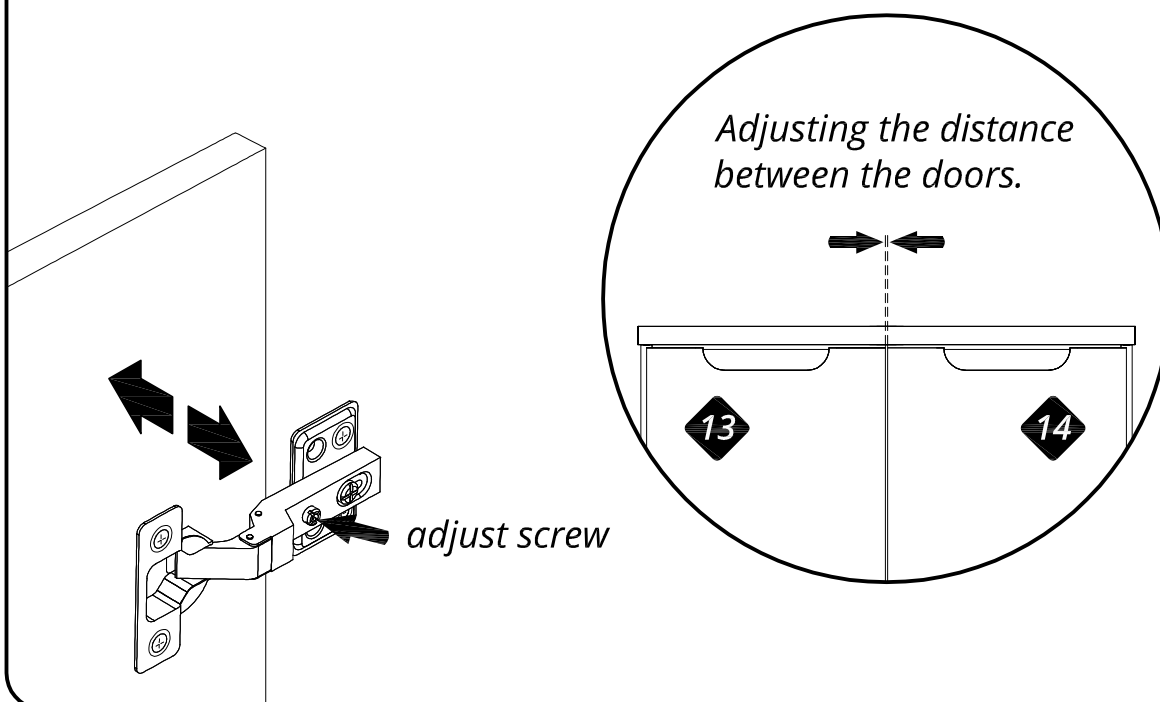
disaligned doors

aligned doors

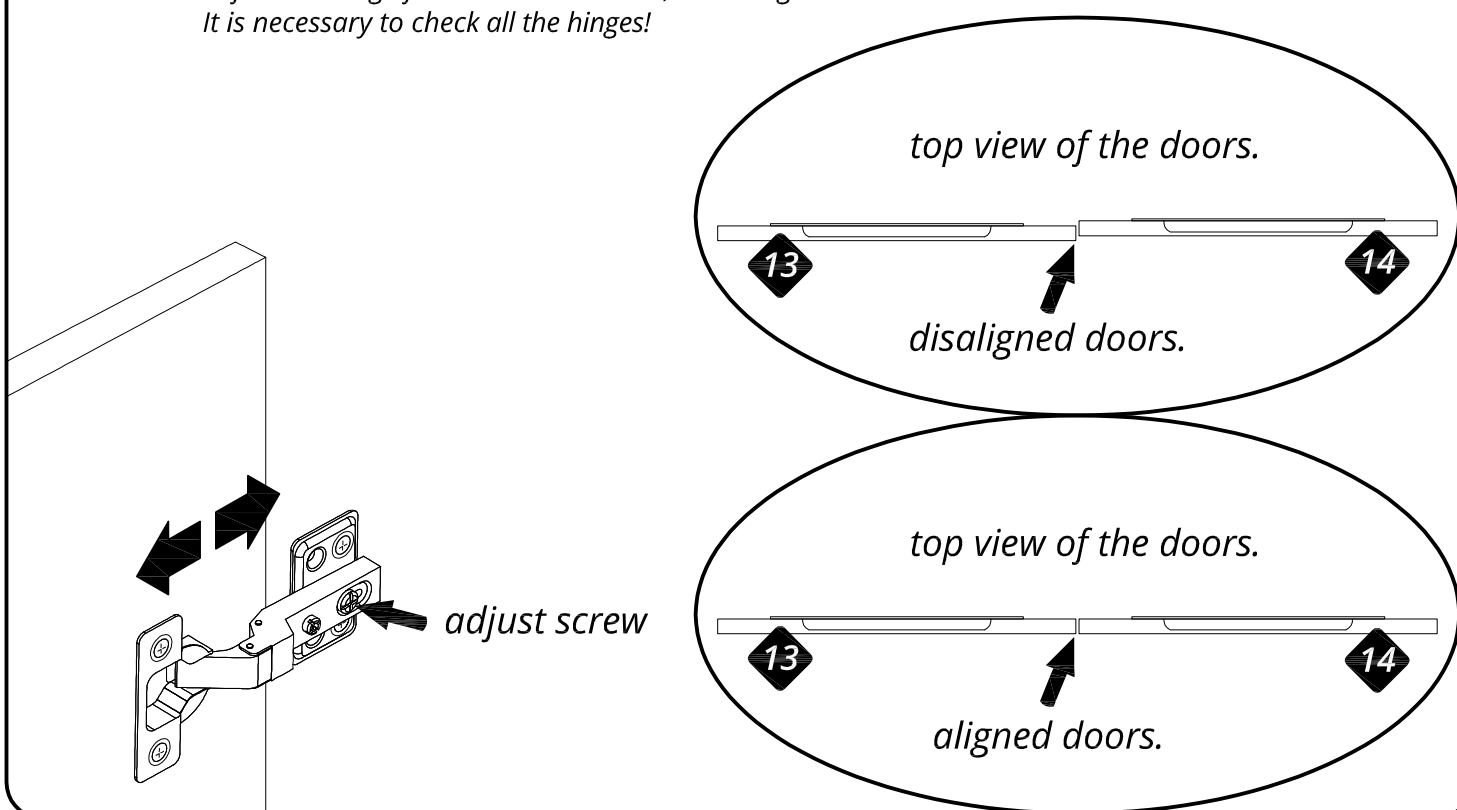


**Step 22** Doors adjustment process.

To adjust the distance between the doors, turn the indicated screw to the clockwise or counterclockwise.


**Step 23** Doors adjustment process.

To adjust the nearby of the doors to the furniture, loosen the indicated screw and adjust the hinge forward or backward, then retighten the screw. It is necessary to check all the hinges!

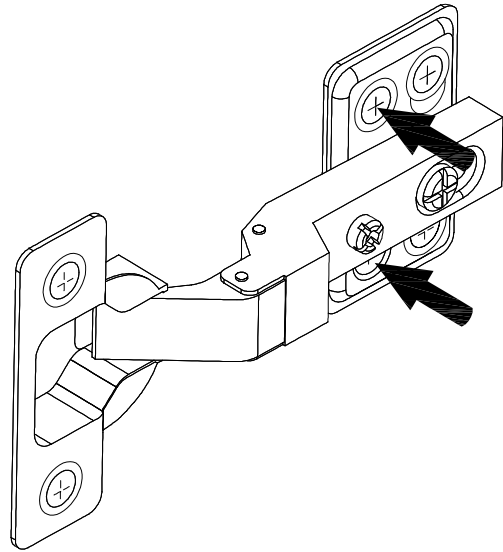


**Step 24** Doors adjustment process.

*Attention!*

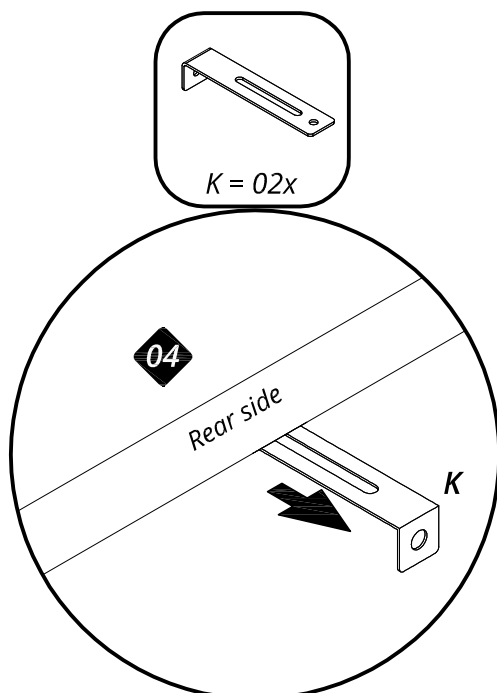
To finish the assemblage, and after all the doors adjusted, fix the hardware (A) in the indicated hinge holes.

Repeat the process for all the hinges.

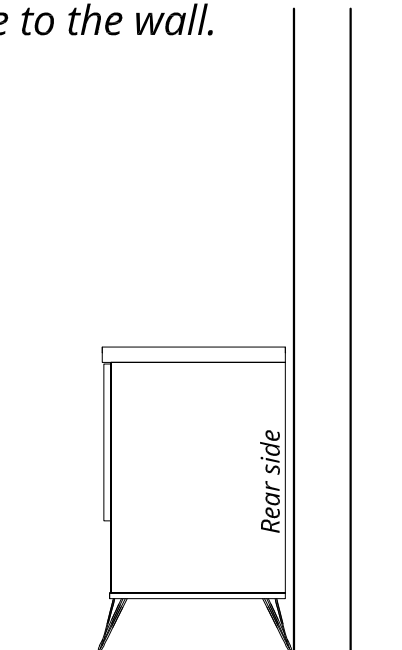

**Step 25**
**Attention! Tipover system.**

**\*Before installing the tipover system, take care with the pipes in your bathroom.**

First, approach the furniture as close as possible to the wall.



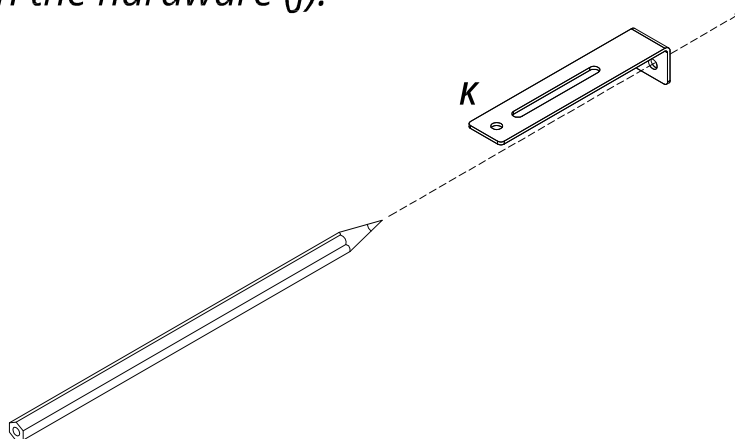
K = 02x



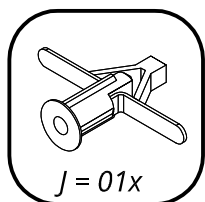
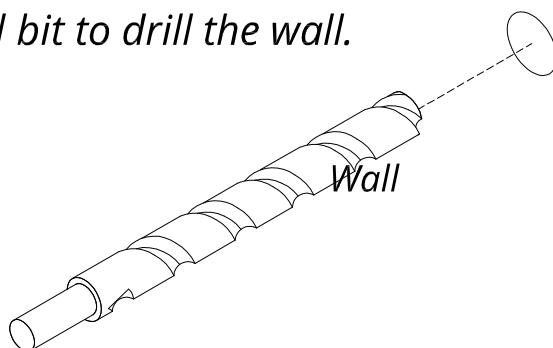
## Step 26

**Attention! Tipover system.**

You will need a pencil to mark where you should drill the wall with a 3/8" drill bit to put in the hardware (J).

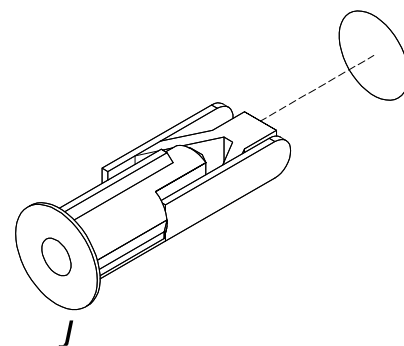
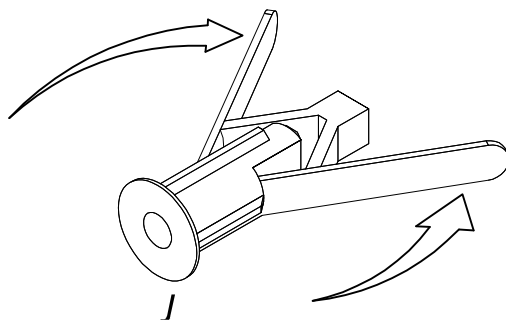
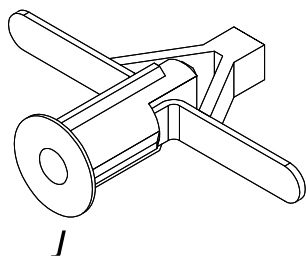


Use the 3/8" drill bit to drill the wall.

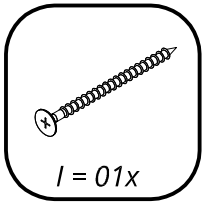


J = 01x

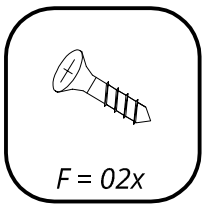
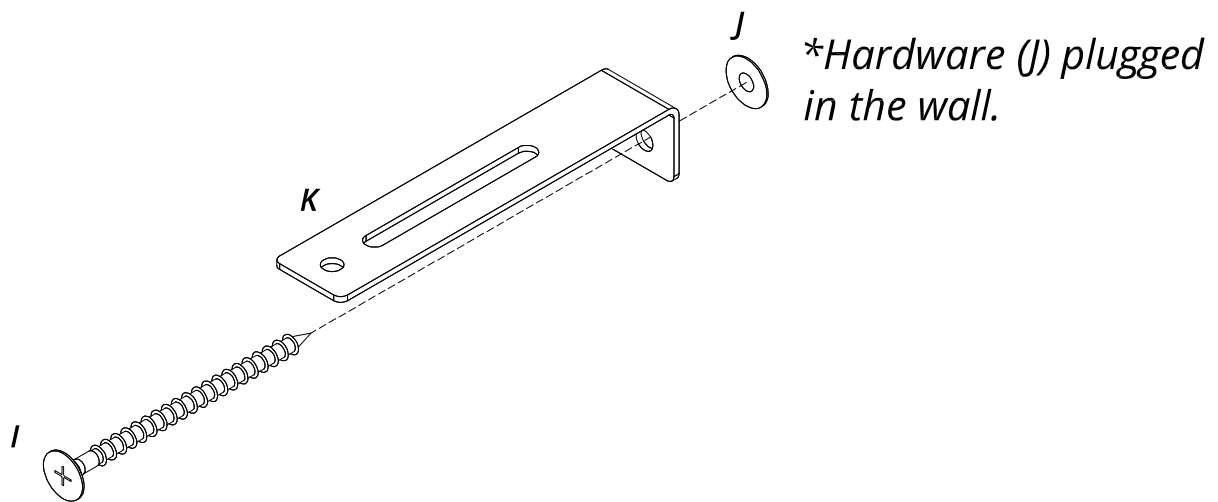
Press the wings of the hardware (J) and put it in to the hole that you drilled on the wall.



## Step 27

**Attention! Tipover system.**

Connect the hardware (K) on the wall, using the hardware (I).



Connect the hardware (K), under the part 04 with the hardware (F).

